

FELLER GMBH

A-2525 GUENSELSDORF, AUSTRIA - TEL.: .. 43(2256) 62 32 50 - FAX: .. 43 (2256) 62 32 57
e-mail: sales@feller-at.com <http://www.feller-at.com>

Description: VII-H05VVF3G075-g30+0492/2,0m,black

Rating of power supply cord: 10A/250Vac

1. PLUG: Type VII

Molded plug according to : IEC60884, CEE (7) VII
Rated current and voltage : 16A, 250 V AC
Plugbase : thermoplastic Polyester(PBTP) GFR
Construction : double insulated
Pins : brass, nickel-plated, crimped
Pins outer diameter : 4,8 mm
Outer mold : PVC compound, hardness Shore A75-77
Approvals : VDE, ÖVE, KEMA, S-INTERTEK, D, N, FI, NF, IMQ, GOST, KTL

2. CORD: Type H05VVF3G0,75 mm²

Flexible cord according to : EN50525; AS 3191; IEC60227
Marked : *JF*<ÖVE><HAR>H05VVF3G0,75mm2*N1095*CE*CCC
60227 IEC 53(RVV)300/500 3x0,75*KTL SW01001-2001A
Number of cores : 3
Conductor construction : 23 X 0,20 mm O.D. 1,10 mm
Conductor insulation : Extruded PVC, O.D. 2,30 mm
Jacket : Extruded PVC, O.D. 6,60 mm +/- 0,20mm
Temperature rating : -20°C up to +70°C
Resistance of conductors : max. 26 Ω/km
Dielectric strength : 2kVac, 1min.
Insulation resistance : >0,010 MΩ/km
Color of conductors : yellow/green, brown, blue
Approvals : HARMONIZED, ÖVE, CCC, KTL

3. 2nd end preparation: g30+0492

30mm jacket insulation removed with splices LEAR 25787.123.009 MS BLK DIN 46228 D

Environmental conformity

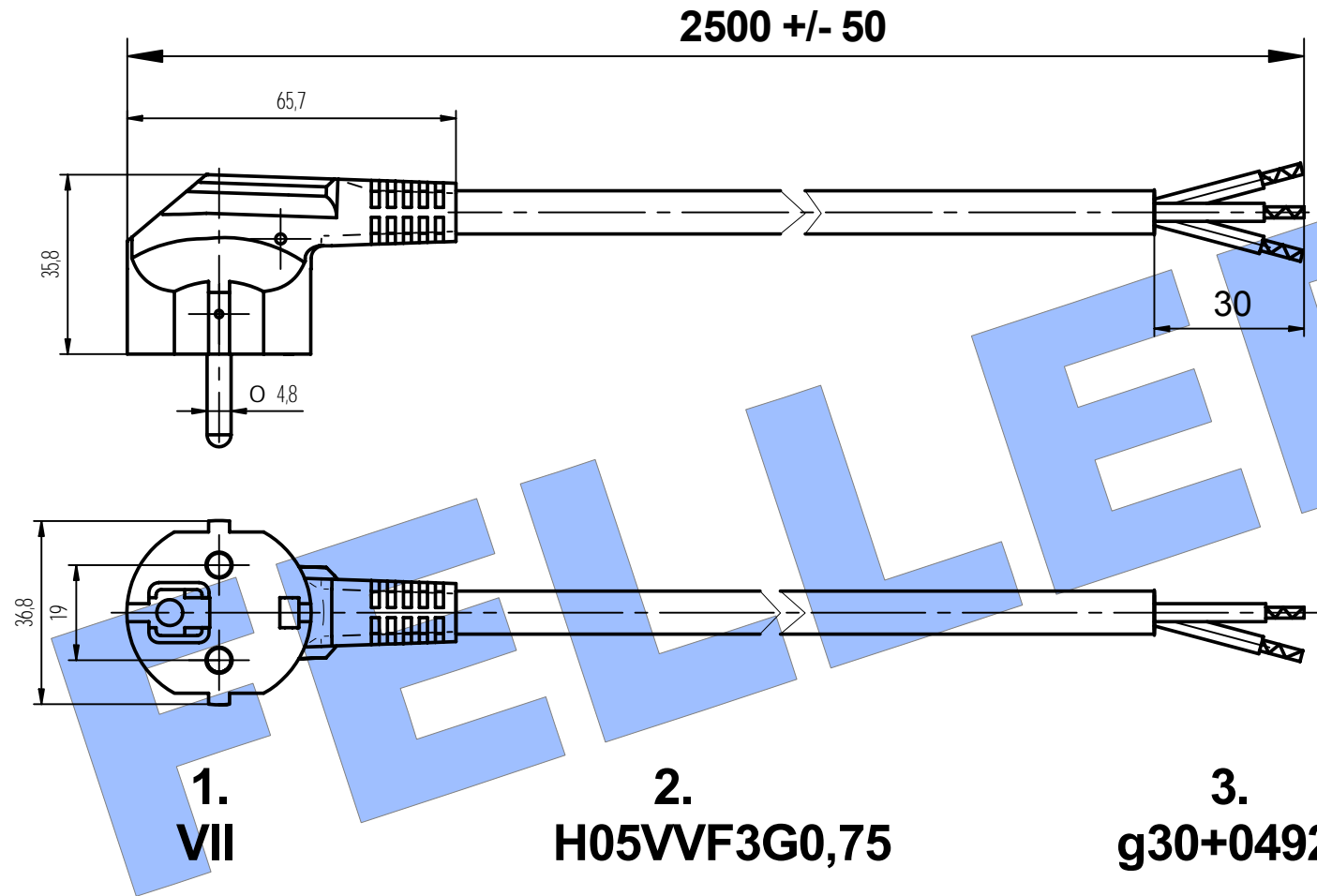
: EU-Directive 2002/96/EC (WEEE)
EU-Directive 2011/65/EU
EU-Directive 1907/2006 EG (REACH -compliant)

TESTING

Electrical testing : 100%
Visual inspection : 100%
High pot test wire to wire : 3kVac for 2 sec.
Continuity test : 25Aac to grounding / 20Aac to line and neutral
Polarity test : yes
Skin high pot test : 6kVac line to skin

Length tolerances not indicated in the drawing: +/- 2 %
design subject to change without prior notice

DATE of ISSUE:	May, 2014		
REV: 3	1	ORIG:	mk



Feller Type: VII-H05VVF3G0,75-g30+0492/2,50m,black



RoHS compliant

15.02.14 | mk

All dimensions in mm

FELLER 

A-2525 Günselsdorf, Austria
 Telefon 0043-2256-62325-0
 Fax:0043-2256-62325-7
 email: sales@feller-at.com
 http://www.feller-at.com