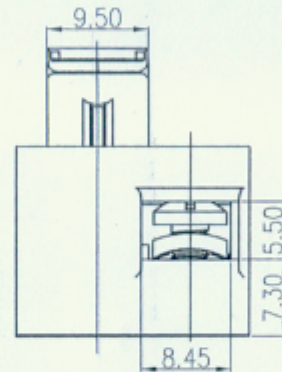
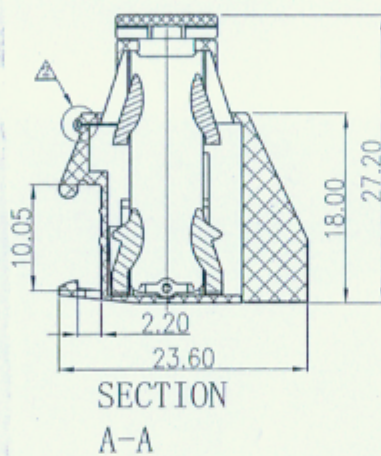
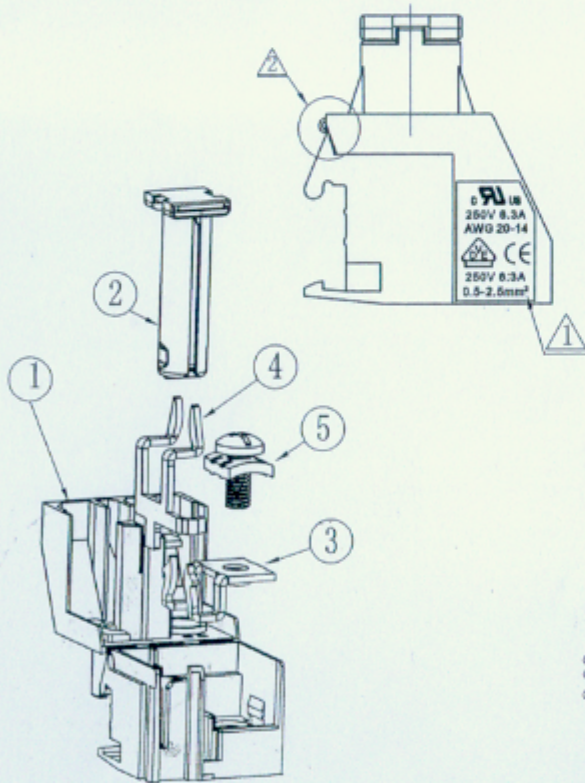
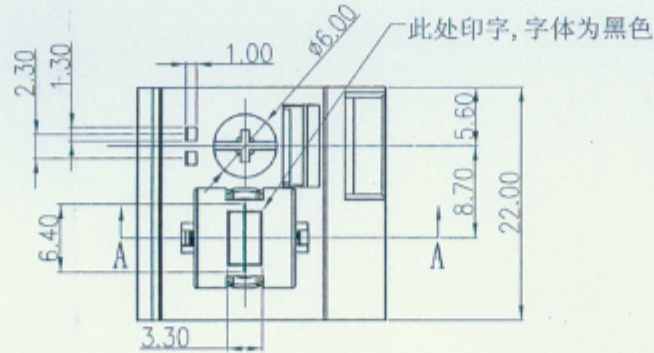
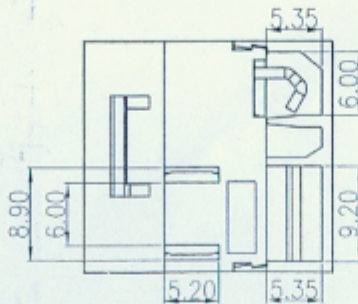


REVISION RECORD				
REV	ECN	DESCRIPTION	DRFT	DATE
△		增加UL, VDE, CE标志及参数	Zeng	11/07/08
△	10-0072	改善折弯部分发白	HXG	11/10/10



- Notes:
1. Poles: 1P
 2. Rated voltage/current: UL 250V/6.3A
VDE 250V/6.3A
 3. Operation temperatures: -40° ~ +105°
 4. Withstanding Voltage: AC2000V/1Min
 5. Insulation Resistance: 5000MΩ/DC1000V
 6. Wire Range: 20~14AWG, 0.5~2.5mm²
 7. Max. Torque Value: M3.5, 8.16kgf.cm
 8. Undimensioned Tolerances:

Pitch range in mm	Nominal dimension range in mm					
	over 6 to 10	over 10 to 24	over 30 to 60	over 60 to 100	over 100 to 150	over 150
±0.10	±0.15	±0.25	±0.2	±0.3	±0.5	±1.0



ITEM	NAME OF PART	NO. OF PART	Q'TY	MATERIAL	NOTES
5	TSF2.5-SCREW	S000002020(H)	1	steel	Cr ³ +Zn
4	TSF2.5-PIN	7006B00020(H)	1	copper	SnCe plated
3	TSF2.5-CLAMP	7006B00010(H)	1	copper	SnCe plated
2	TSF2.5-FUSE BOX	7006D0101A(H)	1	PA66	UL94V-0

1	TSF2.5-housing	7006A0Y01A(H)	1	PA66	UL94V-0
ITEM	NAME OF PART	NO. OF PART	Q'TY	MATERIAL	NOTES
TOLERANCES EXCEPT AS NOTED		DFTD Zhulin DATE 11/05/07 CHKS HXG DATE 11/11/10 DFD DATE APPVAL Hang DATE 11/11/10 MATERIAL G.E. FINISH THIRD ANGLE PROJECTION SCALE: 1:1			
DEGSON® 宁波高正电子有限公司 DEGSON ELECTRONICS CO., LTD. NAME Y≠1 TSF2.5-01P-1Y-00A(H)		DRAWING NO. TSF2.5-E02 /PART /HL DO NOT SCALE DRAWING SHEET 1 OF 1			