



Film Capacitors – Power Factor Correction

PhaseCap Energy Plus

Series/Type:	MKK
Ordering code:	B25674C*
Date:	2021-02-18
Version:	1

© TDK Electronics AG 2021. Reproduction, publication and dissemination of this publication, enclosures hereto and the information contained therein without TDK Electronics' prior express consent is prohibited.



www.atd-shop.com

Film Capacitors – Power Factor Correction
B25674C*
PhaseCap Energy Plus
MKK
Preliminary data
Construction

- Dielectric: Polypropylene film
- Gas-impregnated, dry type, Non PCB
- Wave cut
- Extruded round aluminum can with stud
- Three-phase, delta connected
- Terminal type: safety terminal with M4 & M5 screws
- Provided with external discharge resistor
- Over pressure disconnecter for all 3 phases


Features

- Self-healing technology
- Naturally air cooled (or forced air cooling)
- Optimized capacitor safety terminals

Typical applications

- Shunt Power Factor Correction (according to scope defined in IEC 60831)
- Indoor mounting

Technical data and specifications

Characteristics	B25674C*	
Nominal capacitance C_N	See table in page 7 to 10	
Tolerance	-5 / +5%	
Connection	D (Delta)	
Nominal voltage V_N	Up to 690 V_{RMS} (Details as per table in page 7 to 10)	
Nominal frequency f_N	50 Hz	60 Hz
Nominal output Q_N	Up to 33.1 kvar (Details as per table in page 7 to 10)	
Nominal current I_N	As per table in page 7 to 10	
Dimensions (d x h)*)	As per table in page 7 to 10	
Weight (approx.)	As per table in page 7 to 10	
Dielectric losses ($\tan \delta_0$)	<0.2 W / kvar	
Total losses ($\tan \delta$ **)	Approx. 0.35 to 0.45 W / kvar	

*) Refer drawing on page no.5 to 6 for tolerance

***) excluding discharge resistor / depending upon rating

Film Capacitors – Power Factor Correction
B25674C*
PhaseCap Energy Plus
MKK
Preliminary data

Maximum ratings	
Maximum permissible AC voltage (V_{max})	$V_N + 10\%$ (up to 8 h daily) $V_N + 15\%$ (up to 30 min. daily) $V_N + 20\%$ (up to 5 min. daily) $V_N + 30\%$ (up to 1 min. daily)
Maximum permissible AC current (I_{max})	Up to 1.6 to 2.0 o I_N (A) (including combined effects of harmonics, overvoltage's and capacitance tolerance)
Maximum inrush current (I_s)	≤ 500 o I_N (A) depending on the individual type Max. 15000 switching's per year
Maximum allowed hotspot temperature	+85 °C (short time considering effect of all worst case operating parameters like voltage, current, harmonic, ambient temperature and ventilation)

Test data	
Voltage test between terminals	2.15 o V_N V AC / 50 Hz, 2s
Voltage test between terminals (joined together) and container	3600 V AC / 50 Hz, 2 s up to $V_N = 525$ V AC 6000 V AC / 50 Hz, 2 s above $V_N = 525$ V AC

Environmental conditions	
Minimum ambient temperature	-40 °C
Maximum ambient temperature	+60 °C (short time)
Ambient temperature	Class -40/60 up to 33.1 kvar: Max. short time: +60 °C, max. mean 24 h: +50 °C; max mean 1 year: +40 °C; lowest temperature: -40 °C
Storage temperature	-40 °C to + 85 °C (capacitor must be cooled down below +50 °C before energized)
Humidity	Average relative < 95% (non condensing)
Vibration (Sinusoidal)	As per IEC 60721-3-2 (Transportation) Max. test conditions - Frequency: 8 Hz to 200 Hz Acceleration: 2 g Displacement: 7.5 mm

Film Capacitors – Power Factor Correction
B25674C*
PhaseCap Energy Plus
MKK
Preliminary data
Mean life expectancy

t _{LD}	Up to 220 000 hours (temperature class –40/D) Hotspot temperature ≤ 65 °C (Max. mean ambient temperature per year = +35 °C)
	Up to 200 000 hours (temperature class –40/60) Hotspot temperature ≤ 70 °C (Max. mean ambient temperature per year = +40 °C)

Terminals

Protection degree	Isolated terminals, IP20, indoor mounting (optionally with terminal cap for IP54), VDE 0106 part 100	
Terminal type	Terminal type A & C	Terminal type B & D
Max. torque	1.2 Nm	2.0 Nm
Terminal cross section suitable for connecting multistrand copper cables	16 mm ² (without cable and lug)	25 mm ² (without cable and lug)
Maximum terminal current	50 A	80 A
Creepage distance (min)	12.7 mm	
Clearance (min)	9.6 mm	

Mounting

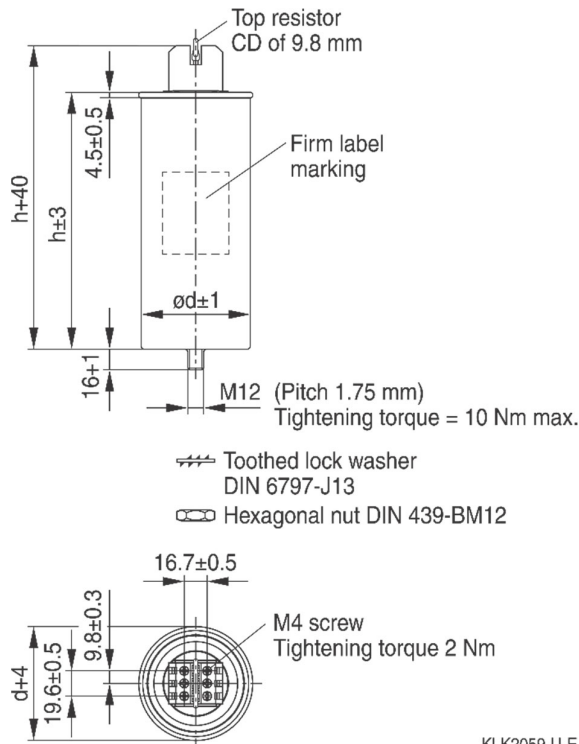
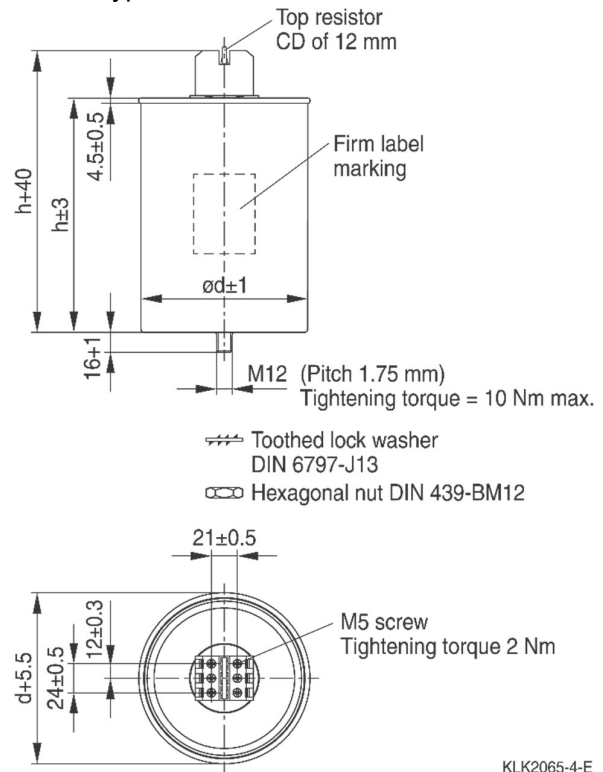
Fixing	Threaded bolt M12
Max. torque (Al can stud)	10 Nm
Mounting position	Upright / horizontal See "Maintenance and Installation Manual" for further details.
Maximum altitude	4000 m

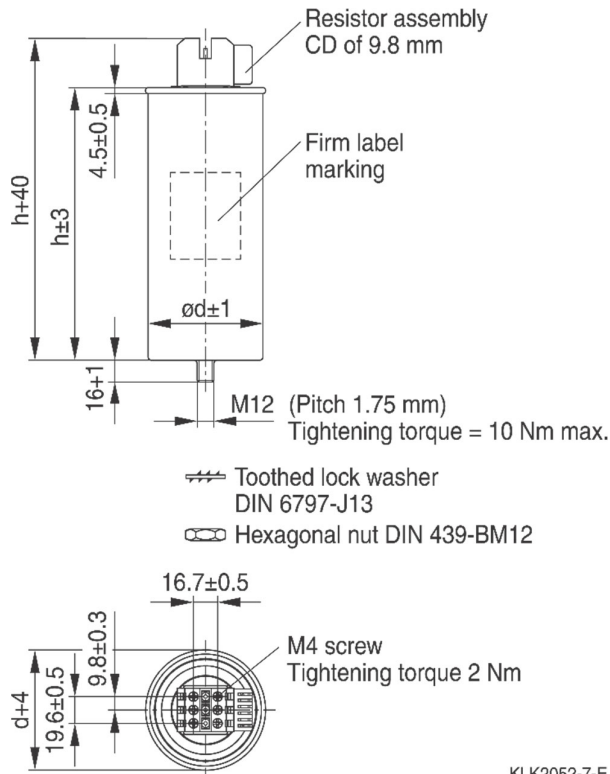
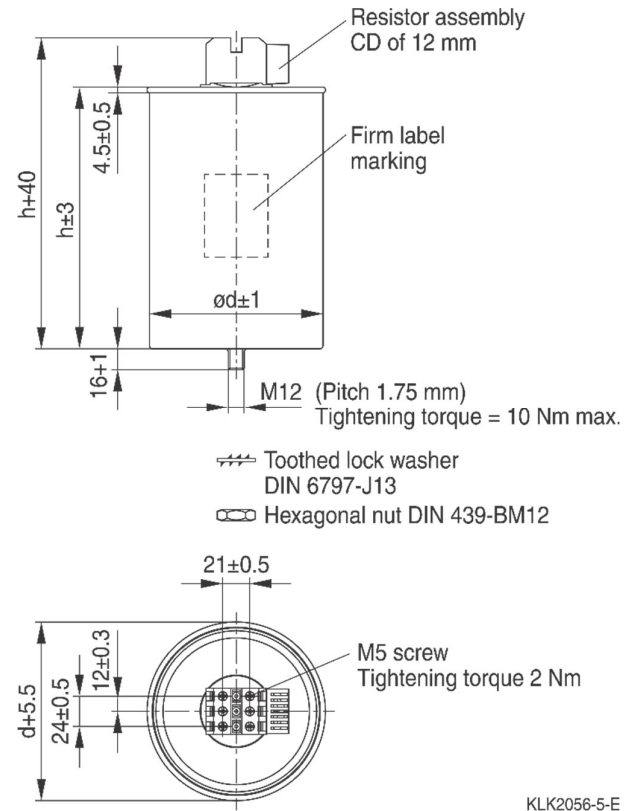
Safety

Film	Self-healing metallized polypropylene film
Impregnation	Dry type, non PCB, filled with non-flammable nitrogen gas
Mechanical safety	Overpressure disconnecter (3-phase)
Terminals	Touch proof IP20 safety terminals
Max. short circuit current	(AFC: 10 kA)
Integrated discharge resistors	Discharge time ≤ 180 s to 75 V or less for safe discharging

Film Capacitors – Power Factor Correction
B25674C*
PhaseCap Energy Plus
MKK
Preliminary data
Approvals / reference standards

Approval Mark	Standard of reference	Certificate
	IEC 60831-1/2 Edition 3.0 (2014)	-
	UL 810-5th edition	Available from 230 to 660 V AC

Dimensional drawings
Terminal type A

Terminal type B


Film Capacitors – Power Factor Correction
B25674C*
PhaseCap Energy Plus
MKK
Preliminary data
Terminal type C

Terminal type D

Marking

**PhaseCap[®]
Energy Plus**
MKK440-D-25.0-03
B25674C4252J040
 $C_N = 3X 137 \mu F -5/+5 \%$ Δ SH

 U_N $Q_N/50Hz$ $Q_N/60Hz$

440 V 25.0 kvar 30.0 kvar

415 V 22.2 kvar 26.7 kvar

400 V 20.7 kvar 24.8 kvar

 $U_i = 3/8kV$ -40/60

Overpressure disconnecter Dry, Inert Gas

IEC 60831 - 1/2 (2014)

AFC 10kA -40...+60°C

Internally protected

CSA C22.2 No. 190

CSA Temp Amb 46°C

Made by EPCOS

01.21 N

Discharge Capacitor Before Handling.

Film Capacitors – Power Factor Correction
B25674C*
PhaseCap Energy Plus
MKK
Preliminary data
Ordering codes

Ordering code	Series/type	Nominal capacitance	Nominal voltage	Output & Nominal current at 50 Hz		Output & Nominal current at 60 Hz		Dimensions d × h	Weight approx. kg	Terminal type	PU* pcs.
		C _N	V _N	I _N	I _N	I _N	I _N				
		μF	V	kvar	A	kvar	A	mm			

Rated voltage 230 V AC, delta connection

B25674C2052J030	MKK230-D-5.0-03	3x 100.3	230	5.0	12.6 ⁵	6.0	15.1 ²	75 x 218	0.9	A	9
B25674C2072J530	MKK230-D-7.5-03	3x 150.4	230	7.5	18.8 ⁵	9.0	22.6 ²	100 x 192	1.4	B	6
B25674C2102J030	MKK230-D-10.0-03	3x 200.5	230	10.0	25.1 ⁴	12.0	30.1 ²	100 x 224	1.7	B	4
B25674C2122J530	MKK230-D-12.5-03	3x 250.7	230	12.5	31.4 ²	15.0	37.7 ¹	116 x 207	2.1	B	4
B25674C2152J030	MKK230-D-15.0-03	3x 300.8	230	15.0	37.7 ¹	-	-	125 x 207	2.4	B	4

Rated voltage 400 V AC, delta connection

B25674C4052J000	MKK400-D-5.0-03	3x 33.2	400	5.0	7.2 ⁵	6.0	8.7 ²	75 x 164	0.7	A	6
B25674C4062J300	MKK400-D-6.3-03	3x 41.8	400	6.3	9.1 ⁵	7.6	11.0 ²	75 x 164	0.7	A	6
B25674C4072J500	MKK400-D-7.5-03	3x 49.7	400	7.5	10.8 ⁵	9.0	13.0 ²	75 x 200	0.8	A	6
B25674C4082J300	MKK400-D-8.3-03	3x 55.0	400	8.3	12.0 ⁵	10.0	14.4 ²	75 x 200	0.8	A	6
B25674C4102J400	MKK400-D-10.4-03	3x 69.0	400	10.4	15.0 ⁴	12.5	18.0 ¹	75 x 218	0.9	A	9
B25674C4122J500	MKK400-D-12.5-03	3x 82.9	400	12.5	18.0 ⁴	15.0	21.7 ¹	85 x 200	1.1	A	9
B25674C4152J000	MKK400-D-15.0-03	3x 99.5	400	15.0	21.7 ³	18.0	26.0 ¹	85 x 218	1.2	A	4
B25674C4162J700	MKK400-D-16.7-03	3x 110.7	400	16.7	24.1 ²	20.0	28.9 ¹	100 x 207	1.6	B	6
B25674C4202J000	MKK400-D-20.0-03	3x 132.6	400	20.0	28.9 ¹	24.0	34.6 ¹	100 x 224	1.7	B	4
B25674C4252J000	MKK400-D-25.0-03	3x 165.8	400	25.0	36.1 ¹	30.0	43.3 ¹	116 x 192	1.9	B	4
B25674C4282J100	MKK400-D-28.1-03	3x 186.3	400	28.1	40.6 ¹	-	-	125 x 192	2.3	B	4
B25674C4302J000	MKK400-D-30.0-03	3x 198.9	400	30.0	43.3 ¹	-	-	116 x 224	2.3	B	4
B25674C4332J000	MKK400-D-33.0-03	3x 218.8	400	33.0	47.6 ¹	-	-	125 x 207	2.4	B	4

Rated voltage 415 V AC, delta connection

B25674C4052J015	MKK415-D-5.0-03	3x 30.8	415	5.0	7.0 ⁵	6.0	8.3 ²	75 x 164	0.7	A	6
B25674C4062J315	MKK415-D-6.3-03	3x 38.8	415	6.3	8.8 ⁵	7.6	10.6 ²	75 x 164	0.7	A	6
B25674C4072J515	MKK415-D-7.5-03	3x 46.2	415	7.5	10.4 ⁵	9.0	12.5 ²	75 x 200	0.8	A	6
B25674C4082J315	MKK415-D-8.3-03	3x 51.1	415	8.3	11.5 ⁵	10.0	13.9 ²	75 x 200	0.8	A	6
B25674C4102J415	MKK415-D-10.4-03	3x 64.1	415	10.4	14.5 ⁵	12.5	17.4 ²	75 x 200	0.8	A	6
B25674C4122J515	MKK415-D-12.5-03	3x 77.0	415	12.5	17.4 ⁴	15.0	20.9 ¹	85 x 200	1.1	A	9
B25674C4152J015	MKK415-D-15.0-03	3x 92.4	415	15.0	20.9 ³	18.0	25.0 ¹	85 x 200	1.1	A	9
B25674C4162J715	MKK415-D-16.7-03	3x 102.9	415	16.7	23.2 ²	20.0	27.8 ¹	100 x 207	1.6	B	6
B25674C4202J015	MKK415-D-20.0-03	3x 123.2	415	20.0	27.8 ¹	24.0	33.4 ¹	100 x 207	1.6	B	6
B25674C4252J015	MKK415-D-25.0-03	3x 154.0	415	25.0	34.8 ¹	30.0	41.7 ¹	116 x 192	1.9	B	4
B25674C4282J115	MKK415-D-28.1-03	3x 173.1	415	28.1	39.1 ¹	-	-	116 x 207	2.1	B	4
B25674C4302J015	MKK415-D-30.0-03	3x 184.8	415	30.0	41.7 ¹	-	-	116 x 207	2.1	B	4
B25674C4332J015	MKK415-D-33.0-03	3x 203.3	415	33.0	45.9 ¹	-	-	116 x 224	2.3	B	4

¹.....max. current 1.6 times I_N
².....max. current 1.7 times I_N
³.....max. current 1.8 times I_N
⁴.....max. current 1.9 times I_N
⁵.....max. current 2.0 times I_N

Film Capacitors – Power Factor Correction
B25674C*
PhaseCap Energy Plus
MKK
Preliminary data

Ordering code	Series/type	Nominal capacitance	Nominal voltage	Output & Nominal current at 50 Hz		Output & Nominal current at 60 Hz		Dimensions d x h mm	Weight approx. kg	Terminal type	PU* pcs.
		C _N µF	V _N V	I _N kvar	A	I _N kvar	A				
Rated voltage 440 V AC, delta connection											
B25674C4052J040	MKK440-D-5.0-03	3x 27.4	440	5.0	6.6 ⁵	6.0	7.9 ²	75 x 164	0.7	A	6
B25674C4062J040	MKK440-D-6.0-03	3x 32.9	440	6.0	7.9 ⁵	7.2	9.4 ²	75 x 164	0.7	A	6
B25674C4062J340	MKK440-D-6.3-03	3x 34.5	440	6.3	8.3 ⁵	7.6	10.0 ²	75 x 164	0.7	A	6
B25674C4072J040	MKK440-D-7.0-03	3x 38.4	440	7.0	9.2 ⁵	8.4	11.0 ²	75 x 200	0.8	A	6
B25674C4072J540	MKK440-D-7.5-03	3x 41.1	440	7.5	9.8 ⁵	9.0	11.8 ²	75 x 200	0.8	A	6
B25674C4082J040	MKK440-D-8.0-03	3x 43.8	440	8.0	10.5 ⁵	9.6	12.6 ²	75 x 200	0.8	A	6
B25674C4082J340	MKK440-D-8.3-03	3x 45.5	440	8.3	10.9 ⁵	10.0	13.1 ²	75 x 200	0.8	A	6
B25674C4092J040	MKK440-D-9.0-03	3x 49.3	440	9.0	11.8 ⁵	10.8	14.2 ²	75 x 200	0.8	A	6
B25674C4102J040	MKK440-D-10.0-03	3x 54.8	440	10.0	13.1 ⁴	12.0	15.7 ¹	75 x 200	0.8	A	6
B25674C4102J440	MKK440-D-10.4-03	3x 57.0	440	10.4	13.6 ⁴	12.5	16.4 ¹	85 x 200	1.1	A	9
B25674C4122J040	MKK440-D-12.0-03	3x 65.8	440	12.0	15.7 ⁴	14.4	18.9 ¹	85 x 200	1.1	A	9
B25674C4122J540	MKK440-D-12.5-03	3x 68.5	440	12.5	16.4 ⁴	15.0	19.7 ¹	85 x 200	1.1	A	9
B25674C4142J240	MKK440-D-14.2-03	3x 77.8	440	14.2	18.6 ⁴	17.0	22.3 ¹	85 x 200	1.1	A	9
B25674C4152J040	MKK440-D-15.0-03	3x 82.2	440	15.0	19.7 ³	18.0	23.6 ¹	85 x 218	1.2	A	4
B25674C4162J740	MKK440-D-16.7-03	3x 91.5	440	16.7	21.9 ²	20.0	26.2 ¹	100 x 207	1.6	B	6
B25674C4182J840	MKK440-D-18.8-03	3x 103.0	440	18.8	24.7 ²	22.6	29.7 ¹	100 x 207	1.6	B	6
B25674C4202J040	MKK440-D-20.0-03	3x 109.6	440	20.0	26.2 ¹	24.0	31.5 ¹	100 x 207	1.6	B	6
B25674C4252J040	MKK440-D-25.0-03	3x 137.0	440	25.0	32.8 ¹	30.0	39.4 ¹	116 x 192	1.9	B	4
B25674C4282J140	MKK440-D-28.1-03	3x 154.0	440	28.1	36.9 ¹	-	-	116 x 207	2.1	B	4
B25674C4302J040	MKK440-D-30.0-03	3x 164.4	440	30.0	39.4 ¹	-	-	125 x 192	2.3	B	4
B25674C4332J140	MKK440-D-33.1-03	3x 181.4	440	33.1	43.4 ¹	-	-	116 x 224	2.3	B	4
Rated voltage 480 V AC, delta connection											
B25674C4052J080	MKK480-D-5.0-03	3x 23.0	480	5.0	6.0 ⁵	6.0	7.2 ²	75 x 164	0.7	A	6
B25674C4062J380	MKK480-D-6.3-03	3x 29.0	480	6.3	7.6 ⁵	7.6	9.1 ²	75 x 164	0.7	A	6
B25674C4072J580	MKK480-D-7.5-03	3x 34.5	480	7.5	9.0 ⁵	9.0	10.8 ²	75 x 200	0.8	A	6
B25674C4082J380	MKK480-D-8.3-03	3x 38.2	480	8.3	10.0 ⁵	10.0	12.0 ²	75 x 200	0.8	A	6
B25674C4102J480	MKK480-D-10.4-03	3x 47.9	480	10.4	12.5 ⁵	12.5	15.0 ²	75 x 200	0.8	A	6
B25674C4112J080	MKK480-D-11.0-03	3x 50.7	480	11.0	13.2 ⁵	13.2	15.9 ²	85 x 200	1.1	A	9
B25674C4122J580	MKK480-D-12.5-03	3x 57.6	480	12.5	15.0 ⁴	15.0	18.0 ¹	85 x 200	1.1	A	9
B25674C4132J880	MKK480-D-13.8-03	3x 63.5	480	13.8	16.6 ⁴	16.6	20.0 ¹	85 x 200	1.1	A	9
B25674C4152J080	MKK480-D-15.0-03	3x 69.1	480	15.0	18.0 ³	18.0	21.7 ¹	100 x 207	1.6	B	6
B25674C4162J780	MKK480-D-16.7-03	3x 76.9	480	16.7	20.1 ²	20.0	24.1 ¹	100 x 207	1.6	B	6
B25674C4202J080	MKK480-D-20.0-03	3x 92.1	480	20.0	24.1 ²	24.0	28.9 ¹	100 x 207	1.6	B	6
B25674C4202J880	MKK480-D-20.8-03	3x 95.8	480	20.8	25.0 ¹	25.0	30.1 ¹	116 x 207	2.1	B	4
B25674C4222J080	MKK480-D-22.0-03	3x 101.3	480	22.0	26.5 ¹	26.4	31.8 ¹	116 x 207	2.1	B	4
B25674C4252J080	MKK480-D-25.0-03	3x 115.1	480	25.0	30.1 ¹	30.0	36.1 ¹	116 x 192	1.9	B	4
B25674C4282J180	MKK480-D-28.1-03	3x 129.4	480	28.1	33.8 ¹	-	-	116 x 207	2.1	B	4
B25674C4302J080	MKK480-D-30.0-03	3x 138.1	480	30.0	36.1 ¹	-	-	125 x 192	2.3	B	4
B25674C4312J080	MKK480-D-31.0-03	3x 142.7	480	31.0	37.3 ¹	-	-	125 x 192	2.3	B	4
B25674C4332J080	MKK480-D-33.0-03	3x 152.0	480	33.0	39.7 ¹	-	-	116 x 224	2.3	B	4

Film Capacitors – Power Factor Correction
B25674C*
PhaseCap Energy Plus
MKK
Preliminary data

Ordering code	Series/type	Nominal capacitance	Nominal voltage	Output & Nominal current at 50 Hz		Output & Nominal current at 60 Hz		Dimensions d x h mm	Weight approx. kg	Terminal type	PU* pcs.
		C _N µF	V _N V	I _N kvar	I _N A	I _N kvar	I _N A				
Rated voltage 525 VAC, delta connection											
B25674C5052J025	MKK525-D-5.0-03	3x 19.2	525	5.0	5.5 ⁵	6.0	6.6 ²	75 x 164	0.7	A	6
B25674C5062J325	MKK525-D-6.3-03	3x 24.2	525	6.3	6.9 ⁵	7.6	8.4 ²	75 x 164	0.7	A	6
B25674C5072J525	MKK525-D-7.5-03	3x 28.9	525	7.5	8.2 ⁵	9.0	9.9 ²	75 x 185	0.8	A	6
B25674C5082J325	MKK525-D-8.3-03	3x 31.9	525	8.3	9.1 ⁵	10.0	11.0 ²	75 x 200	0.8	A	6
B25674C5102J425	MKK525-D-10.4-03	3x 40.0	525	10.4	11.4 ⁵	12.5	13.7 ²	85 x 185	1.0	A	9
B25674C5122J525	MKK525-D-12.5-03	3x 48.1	525	12.5	13.7 ⁵	15.0	16.5 ²	85 x 200	1.1	A	9
B25674C5132J225	MKK525-D-13.2-03	3x 50.8	525	13.2	14.5 ⁵	15.8	17.4 ²	85 x 200	1.1	A	9
B25674C5152J025	MKK525-D-15.0-03	3x 57.7	525	15.0	16.5 ⁴	18.0	19.8 ¹	85 x 218	1.2	A	4
B25674C5162J725	MKK525-D-16.7-03	3x 64.3	525	16.7	18.4 ³	20.0	22.0 ¹	100 x 207	1.6	B	6
B25674C5202J025	MKK525-D-20.0-03	3x 77.0	525	20.0	22.0 ²	24.0	26.4 ¹	100 x 224	1.7	B	4
B25674C5202J825	MKK525-D-20.8-03	3x 80.1	525	20.8	22.9 ²	25.0	27.5 ¹	100 x 224	1.7	B	4
B25674C5252J025	MKK525-D-25.0-03	3x 96.2	525	25.0	27.5 ¹	30.0	33.0 ¹	116 x 207	2.1	B	4
B25674C5262J525	MKK525-D-26.5-03	3x 102.0	525	26.5	29.1 ¹	31.8	35.0 ¹	116 x 207	2.1	B	4
B25674C5282J125	MKK525-D-28.1-03	3x 108.2	525	28.1	30.9 ¹	-	-	125 x 192	2.3	B	4
B25674C5302J025	MKK525-D-30.0-03	3x 115.5	525	30.0	33.0 ¹	-	-	125 x 207	2.4	B	4
B25674C5332J125	MKK525-D-33.1-03	3x 127.4	525	33.1	36.4 ¹	-	-	136 x 192	2.7	B	4
Rated voltage 600 VAC, delta connection											
B25674C6052J300	MKK600-D-5.3-03	3x 15.6	600	5.3	5.1 ⁵	6.4	6.2 ²	75 x 185	0.8	C	6
B25674C6062J200	MKK600-D-6.2-03	3x 18.3	600	6.2	6.0 ⁵	7.4	7.1 ²	75 x 185	0.8	C	6
B25674C6062J900	MKK600-D-6.9-03	3x 20.3	600	6.9	6.6 ⁵	8.3	8.0 ²	75 x 200	0.8	C	6
B25674C6082J300	MKK600-D-8.3-03	3x 24.5	600	8.3	8.0 ⁴	10.0	9.6 ¹	75 x 218	0.9	C	9
B25674C6102J400	MKK600-D-10.4-03	3x 30.6	600	10.4	10.0 ⁴	12.5	12.0 ¹	85 x 200	1.1	C	9
B25674C6122J500	MKK600-D-12.5-03	3x 36.8	600	12.5	12.0 ⁴	15.0	14.4 ¹	100 x 192	1.4	D	6
B25674C6132J900	MKK600-D-13.9-03	3x 41.0	600	13.9	13.4 ⁴	16.7	16.1 ¹	100 x 207	1.6	D	6
B25674C6142J600	MKK600-D-14.6-03	3x 43.0	600	14.6	14.0 ⁴	17.5	16.8 ¹	100 x 207	1.6	D	6
B25674C6162J700	MKK600-D-16.7-03	3x 49.2	600	16.7	16.1 ³	20.0	19.2 ¹	100 x 224	1.7	D	4
B25674C6202J000	MKK600-D-20.0-03	3x 58.9	600	20.0	19.2 ²	24.0	23.1 ¹	116 x 207	2.1	D	4
B25674C6202J800	MKK600-D-20.8-03	3x 61.3	600	20.8	20.0 ²	25.0	24.1 ¹	116 x 207	2.1	D	4
B25674C6252J000	MKK600-D-25.0-03	3x 73.7	600	25.0	24.1 ¹	30.0	28.9 ¹	125 x 207	2.4	D	4
B25674C6282J000	MKK600-D-28.0-03	3x 82.5	600	28.0	26.9 ¹	-	-	136 x 192	2.7	D	4
B25674C6302J000	MKK600-D-30.0-03	3x 88.4	600	30.0	28.9 ¹	-	-	136 x 207	2.9	D	4

¹.....max. current 1.6 times I_N
².....max. current 1.7 times I_N
³.....max. current 1.8 times I_N
⁴.....max. current 1.9 times I_N
⁵.....max. current 2.0 times I_N

Film Capacitors – Power Factor Correction
B25674C*
PhaseCap Energy Plus
MKK
Preliminary data

Ordering code	Series/type	Nominal capacitance	Nominal voltage	Output & Nominal current at 50 Hz		Output & Nominal current at 60 Hz		Dimensions d × h mm	Weight approx. kg	Terminal type	PU* pcs
		C _N μF	V _N V	I _N kvar	I _N A	I _N kvar	I _N A				
Rated voltage 690 V AC, delta connection											
B25674C6052J390	MKK690-D-5.3-03	3 x 11.8	690	5.3	4.4 ⁵	6.4	5.4 ²	75x185	0.8	C	6
B25674C6062J290	MKK690-D-6.2-03	3 x 13.8	690	6.2	5.2 ⁵	7.4	6.2 ²	75x200	0.8	C	6
B25674C6062J990	MKK690-D-6.9-03	3 x 15.4	690	6.9	5.8 ⁵	8.3	6.9 ²	75x200	0.8	C	6
B25674C6082J390	MKK690-D-8.3-03	3 x 18.5	690	8.3	6.9 ⁵	10.0	8.4 ²	75x200	0.8	C	6
B25674C6102J490	MKK690-D-10.4-03	3 x 23.2	690	10.4	8.7 ⁴	12.5	10.5 ¹	75x200	0.8	C	6
B25674C6122J590	MKK690-D-12.5-03	3 x 27.9	690	12.5	10.5 ⁴	15.0	12.6 ¹	85x200	1.1	C	9
B25674C6132J990	MKK690-D-13.9-03	3 x 31.0	690	13.9	11.6 ⁴	16.7	14.0 ¹	85x200	1.1	C	9
B25674C6142J690	MKK690-D-14.6-03	3 x 32.5	690	14.6	12.2 ⁴	17.5	14.6 ¹	100x207	1.6	D	6
B25674C6162J790	MKK690-D-16.7-03	3 x 37.2	690	16.7	14.0 ⁴	20.0	16.7 ¹	100x192	1.4	D	6
B25674C6202J090	MKK690-D-20.0-03	3 x 44.6	690	20.0	16.7 ³	24.0	20.1 ¹	100x207	1.6	D	6
B25674C6202J890	MKK690-D-20.8-03	3 x 46.3	690	20.8	17.4 ³	25.0	20.9 ¹	100x224	1.7	D	4
B25674C6252J090	MKK690-D-25.0-03	3 x 55.7	690	25.0	20.9 ²	30.0	25.1 ¹	116x192	1.9	D	4
B25674C6282J090	MKK690-D-28.0-03	3 x 62.4	690	28.0	23.4 ¹	-	-	116x207	2.1	D	4
B25674C6302J090	MKK690-D-30.0-03	3 x 66.8	690	30.0	25.1 ¹	-	-	125x192	2.3	D	4

¹.....max. current 1.6 times I_N
².....max. current 1.7 times I_N
³.....max. current 1.8 times I_N
⁴.....max. current 1.9 times I_N
⁵.....max. current 2.0 times I_N
Display of ordering codes for TDK Electronics products

The ordering code for one and the same product can be represented differently in data sheets, data books, other publications, on the company website, or in order-related documents such as shipping notes, order confirmations and product labels. **The varying representations of the ordering codes are due to different processes employed and do not affect the specifications of the respective products.** Detailed information can be found on the Internet under www.tdk-electronics.tdk.com/orderingcodes.

Preliminary data

Cautions and warnings

- In case of dents of more than 1 mm depth or any other mechanical damage, capacitors must not be used at all.
- This applies also in cases of oil leakages.
- To ensure the full functionality of the overpressure disconnecter, elastic elements must not be hindered and a minimum space of 12 mm has to be kept above each capacitor.
- Do not handle the capacitor before it is discharged.
- Resonance cases must be avoided by appropriate application design in any case.
- Handle capacitors carefully, because they may still be charged even after disconnection due to faulty discharging devices.
- Protect the capacitor properly against over current and short circuit.
- Failure to follow cautions may result, worst case, in premature failures, bursting and fire.

Discharging

Capacitors must be discharged to a maximum of 10% of rated voltage before they are switched in again. This prevents an electric impulse discharge in the application, influences the capacitor's service life and protects against electric shock. The capacitor must be discharged to 75 V or less within 180 sec. There must be not any switch, fuse or any other disconnecting device in the circuit between the power capacitor and the discharging device. PhaseCap Energy-capacitors have a pre-mounted ceramic discharge module; alternatively discharge reactors are available from TDK. Discharge and short circuit capacitor before handling!

Service life expectancy

Electrical components do not have an unlimited service life expectancy; this applies to self-healing capacitors too. The maximum service life expectancy may vary depending on the application the capacitor is used in.

Safety

Electrical or mechanical misapplication of capacitors may be hazardous. Personal injury or property damage may result from bursting of the capacitor or from expulsion of oil or melted material due to mechanical disruption of the capacitor.

- Ensure good, effective grounding for capacitor enclosures.
- Provide means of disconnecting and insulating a faulty component/bank.
- The terminals of capacitors, connected bus bars and cables as well as other devices may also be energized.
- Follow good engineering practice.

Thermal load/over-temperature

After installation of the capacitor it is necessary to verify that maximum hot-spot temperature is not exceeded at extreme service conditions.

Preliminary data

Overpressure disconnecter

To ensure full functionality of an overpressure disconnecter, the following must be observed:

1. The elastic elements must not be hindered, i.e.
 - Connecting lines must be flexible leads (cables).
 - There must be sufficient space (min. 12 mm) for expansion above the connections. This will enable a longitudinal extension of the can to secure the overpressure disconnecter work.
 - Folding beads must not be retained by clamps.
2. The maximum allowed fault current of 10000 A in accordance with UL 810 standard must be assured by the application.
3. Stress parameters of the capacitor must be within the IEC60831 specification.

Overcurrent and short circuit protection

- Use HRC fuses or MCCBs for short circuit protection. Short circuit protection and connecting cables should be selected so that 1.5 times the maximum total RMS capacitor current can be permanently handled.
- HRC fuses do not protect a capacitor against overload – they are only for short circuit protection.
- The HRC fuse rating should be 1.6 to 1.8 the maximum total RMS capacitor current.
- Do not use HRC fuses/Switch Fuse Unit to disconnect capacitors (risk of arcing).
- Use thermal magnetic over current relays for overload protection.

Resonance cases

Resonance cases must be avoided by appropriate application design in any case. Maximum total RMS capacitor current (incl. fundamental harmonic current) specified in technical data must not be exceeded.

Re-switching vs. phase-opposition

In case of voltage interruption, a sufficient discharge time has to be ensured to avoid phase-opposition and resulting high inrush currents.

Mechanical protection

The capacitor has to be installed in a way that mechanical damages and dents in the aluminum can are avoided.

Grounding

The threaded bottom stud of the capacitor has to be used for grounding. In case grounding is done via metal chassis that the capacitor is mounted to, the layer of varnish beneath the washer and nut should be removed. The maximum tightening torque is 10 Nm for M12 stud.

Maintenance

- Check tightness of the connections/terminals periodically.
- Take current reading twice a year and compare with nominal current. Use a harmonic analyser or true effective RMS-meter.

Preliminary data

- In case of current above the nominal current check your application for modifications.
- If a significant increase in the amount of non-linear loads has been detected, then a consultant has to be called in for a harmonic study.
- In case of the presence of harmonics installation of a de-tuned capacitor bank (reactors) must be considered.
- Check the temperature of capacitors directly after operation for a longer period, but make sure that the capacitors have been switched off. In case of excessive temperature of individual capacitors, it is recommended to replace these capacitors, as this should be an indication for loss factor increase, which is a sign for reaching end of life.

Storage and operating conditions

Do not use or store capacitors in corrosive atmosphere, especially where chloride gas, sulfide gas, acid, alkali, salt or the like are present. In dusty environments regular maintenance and cleaning especially of the terminals is required to avoid conductive path between phases and/or phases and ground.

Note

For detailed information about PFC capacitors and cautions, refer to the latest version of TDK PFC Product Profile.

Important notes

The following applies to all products named in this publication:

1. Some parts of this publication contain **statements about the suitability of our products for certain areas of application**. These statements are based on our knowledge of typical requirements that are often placed on our products in the areas of application concerned. We nevertheless expressly point out **that such statements cannot be regarded as binding statements about the suitability of our products for a particular customer application**. As a rule we are either unfamiliar with individual customer applications or less familiar with them than the customers themselves. For these reasons, it is always ultimately incumbent on the customer to check and decide whether a product with the properties described in the product specification is suitable for use in a particular customer application.
2. We also point out that **in individual cases, a malfunction of electronic components or failure before the end of their usual service life cannot be completely ruled out in the current state of the art, even if they are operated as specified**. In customer applications requiring a very high level of operational safety and especially in customer applications in which the malfunction or failure of an electronic component could endanger human life or health (e.g. in accident prevention or life-saving systems), it must therefore be ensured by means of suitable design of the customer application or other action taken by the customer (e.g. installation of protective circuitry or redundancy) that no injury or damage is sustained by third parties in the event of malfunction or failure of an electronic component.
3. **The warnings, cautions and product-specific notes must be observed.**
4. In order to satisfy certain technical requirements, **some of the products described in this publication may contain substances subject to restrictions in certain jurisdictions (e.g. because they are classed as hazardous)**. Useful information on this will be found in our Material Data Sheets on the Internet (www.tdk-electronics.tdk.com/material). Should you have any more detailed questions, please contact our sales offices.
5. We constantly strive to improve our products. Consequently, **the products described in this publication may change from time to time**. The same is true of the corresponding product specifications. Please check therefore to what extent product descriptions and specifications contained in this publication are still applicable before or when you place an order.

We also **reserve the right to discontinue production and delivery of products**. Consequently, we cannot guarantee that all products named in this publication will always be available. The aforementioned does not apply in the case of individual agreements deviating from the foregoing for customer-specific products.

6. Unless otherwise agreed in individual contracts, **all orders are subject to our General Terms and Conditions of Supply**.
7. **Our manufacturing sites serving the automotive business apply the IATF 16949 standard**. The IATF certifications confirm our compliance with requirements regarding the quality management system in the automotive industry. Referring to customer requirements and customer specific requirements ("CSR") TDK always has and will continue to have the policy of respecting individual agreements. Even if IATF 16949 may appear to support the acceptance of unilateral requirements, we hereby like to emphasize that **only requirements mutually agreed upon can and will be implemented in our Quality Management System**. For clarification purposes we like to point out that obligations from IATF 16949 shall only become legally binding if individually agreed upon.

Important notes

8. The trade names EPCOS, CarXield, CeraCharge, CeraDiode, CeraLink, CeraPad, CeraPlas, CSMP, CTVS, DeltaCap, DigiSiMic, ExoCore, FilterCap, FormFit, LeaXield, MiniBlue, MiniCell, MKD, MKK, ModCap, MotorCap, PCC, PhaseCap, PhaseCube, PhaseMod, PhiCap, PowerHap, PQSine, PQvar, SIFERRIT, SIFI, SIKOREL, SilverCap, SIMDAD, SiMic, SIMID, SineFormer, SIOV, ThermoFuse, WindCap, XieldCap are **trademarks registered or pending** in Europe and in other countries. Further information will be found on the Internet at www.tdk-electronics.tdk.com/trademarks.

Release 2020-06