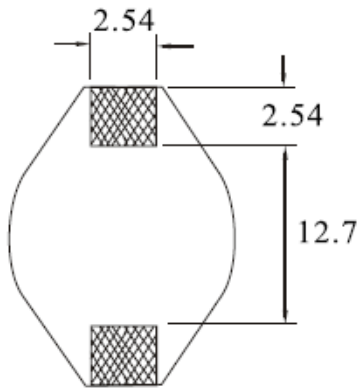
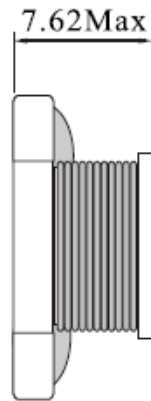
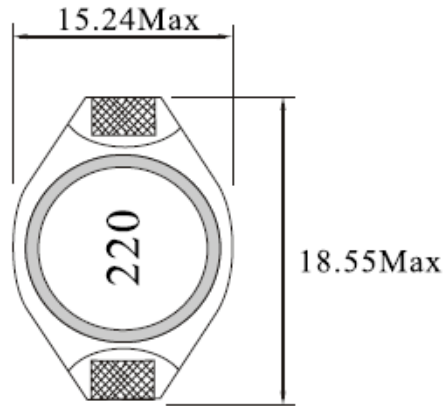
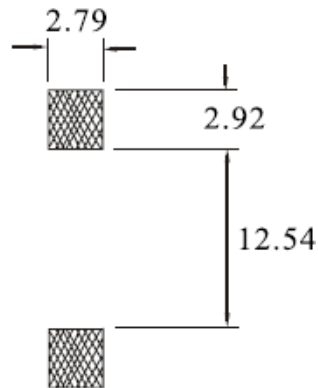


1. PHYSICAL CHARACTERISTICS (mm)



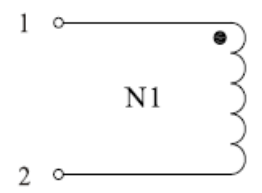
land pattern



NOTES:

Temp 20°C 48%RH
RoHS Compliant

2. ELECTRICAL SCHEMATIC



3. ELECTRICAL SPECIFICATIONS

L: 22uH ± 20% @ 100KHz, 0.1V
 DCR: 47mΩ Max
 Isat: 7.0A (Inductance drop 10% Max)
 Irms: 3.5A (Temp. rise 40°C Max)
 SRF: 13MHz typ.

Operating temperature: -40°C to +85°C

Storage temperature: -40°C to +85°C

Note:

1. Solderability: leads shall meet MIL-STD-202, Method 208D for solderability.
2. Flammability: UL94V-0
3. ASTM oxygen index: >28%

| | | |
|-------------|---------------|-------------------------------------|
| TOLERANCE | | SCHMID-M |
| SCALE | UNIT mm | |
| DRAW Walter | DATE 3.3.2021 | TITLE SSPI1306T-220M-7,2A |
| CHECK | REV | DESCRIPTION Power Inductors |
| | | |