

(VI) SMD POWER INDUCTORS

4. SSPC Series (Shielded Type)

Applications

- Power supply for VTRs.
- Personal & Notebook computers.
- Smart Home Systems.
- Other various electronic appliances.

Features

- Directly connected electrode on ferrite core.
- With magnetic shielded against radiation.
- Flat bottom surface allows reliable mounting onto the board.
- High power, high saturation inductors.



Inductance and Rated Current ranges

Part Series	Inductances range	Rated Current range
* SSPC62B	2.9~330 μ H	1.94~0.19A
* SSPC64B	10~1000 μ H	1.35~0.14A
* SSPC73	1.0~1000 μ H	7.97~0.16A
* SSPC74	1.0~1000 μ H	8.00~0.18A
* SSPC124	1.5~330 μ H	8.75~0.50A
* SSPC125	1.3~1000 μ H	8.00~0.40A
* SSPC127	1.2~1000 μ H	9.80~0.55A
* SSPC127H	4.7~1000 μ H	15.90~1.14A

(Dimension data (Refer to Fig. 1))

- Test equipment:
L: HP4284A or HP4285A LCR meter.
DCR: Milli-ohm meter.
Electrical specifications at 25°C.

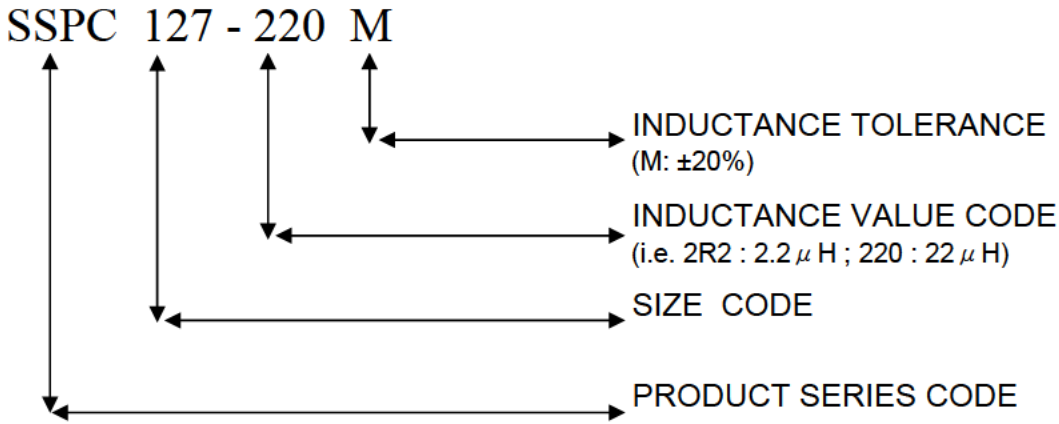
Characteristics

- Rated DC current: The current when the inductance decreases to 75% (SSPC127H: 70%) of its initial value or the actual current when the temperature of coil increases to $\Delta T=40^{\circ}\text{C}$. ($T_a=25^{\circ}\text{C}$)
- Operating temperature range: $-40^{\circ}\text{C}\sim+85^{\circ}\text{C}$. (SSPC127H: $-40^{\circ}\text{C}\sim+105^{\circ}\text{C}$)
- Test Frequency:
SSPC62B: 2.9 μ H~5.5 μ H @100KHz 0.25V ; 10 μ H~330 μ H @1KHz 0.25V
SSPC64B: 10 μ H~1000 μ H @1KHz 0.25V
SSPC73: 1.0 μ H~1000 μ H @1KHz 0.25V
SSPC74: 1.0 μ H~1000 μ H @1KHz 0.25V
SSPC124: 1.5 μ H~330 μ H @100KHz 0.25V
SSPC125: 1.3 μ H~7.5 μ H @100KHz 0.25V ; 10 μ H~1000 μ H @1KHz 0.25V
SSPC127: 1.2 μ H~7.6 μ H @100KHz 0.25V ; 10 μ H~1000 μ H @1KHz 0.25V
SSPC127H: 4.7 μ H~1000 μ H @100KHz 0.25V

(VI) SMD POWER INDUCTORS

4. SSPC Series (Shielded Type)

Part Numbering System



Dimensions (mm)

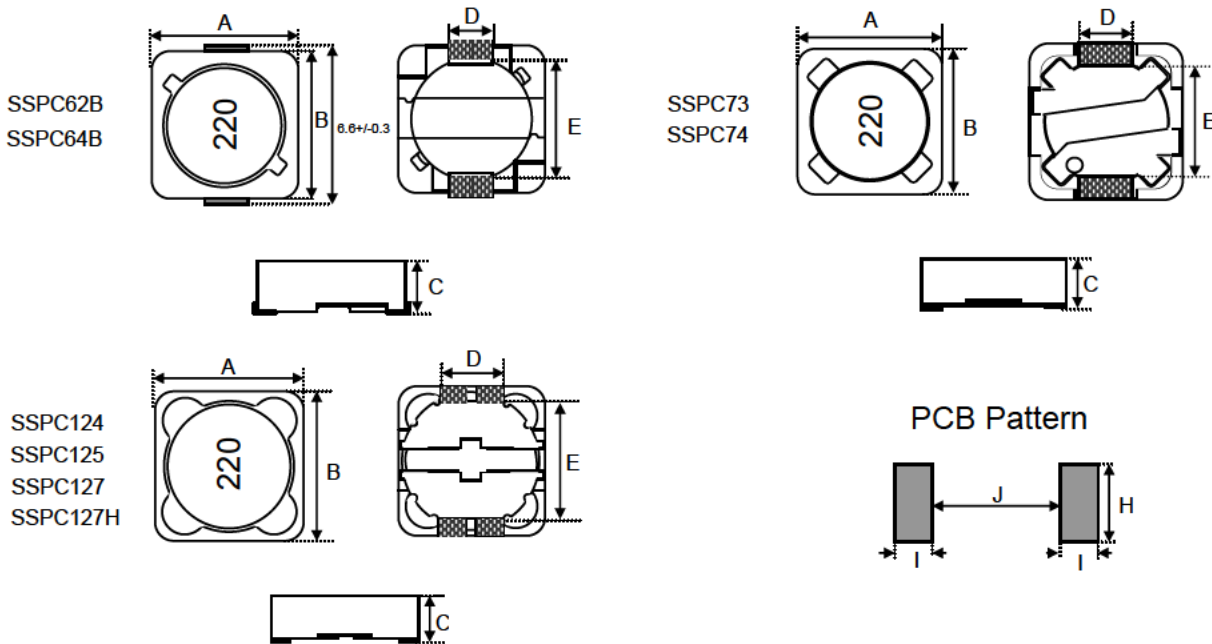


Fig. 1

Series	A	B	C max	D	E	H	I	J
SSPC62B	6.2 \pm 0.3	5.9 \pm 0.3	3.0	1.5	4.6	1.9	1.4	4.6
SSPC64B	6.2 \pm 0.3	5.9 \pm 0.3	5.0	1.5	4.6	1.9	1.4	4.6
SSPC73	7.3 \pm 0.2	7.3 \pm 0.2	3.4	1.8	5.0	2.2	1.6	4.8
SSPC74	7.3 \pm 0.2	7.3 \pm 0.2	4.5	1.8	5.0	2.2	1.6	4.8
SSPC124	12.0 \pm 0.3	12.0 \pm 0.3	4.5	5.0	7.6	5.4	2.9	7.0
SSPC125	12.0 \pm 0.3	12.0 \pm 0.3	6.0	5.0	7.6	5.4	2.9	7.0
SSPC127	12.0 \pm 0.3	12.0 \pm 0.3	8.0	5.0	7.6	5.4	2.9	7.0
SSPC127H	12.0 \pm 0.3	12.0 \pm 0.3	8.0	5.0	7.6	5.4	2.9	7.0

4. SSPC Series (Shielded Type)

Electrical Characteristics

SSPC 127 / 127H TYPE

Inductance value code	Tol.	L (μH)	DC Resistance (Ω) Max.		Rated DC Current (A) Max.	
			SSPC127	SSPC127H	SSPC127	SSPC127H
1R2	M	1.2	0.007	-	9.80	-
2R2	M	2.2	0.010	-	8.50	-
2R4	M	2.4	0.012	-	8.00	-
2R7	M	2.7	0.012	-	8.00	-
3R3	M	3.3	0.013	-	7.80	-
3R5	M	3.5	0.014	-	7.50	-
4R7	M	4.7	0.016	0.016	6.80	15.90
5R6	M	5.6	0.014	-	6.70	-
6R1	M	6.1	0.018	-	6.60	-
6R8	M	6.8	0.014	0.021	6.40	13.30
7R6	M	7.6	0.020	-	5.90	-
8R2	M	8.2	-	0.023	-	12.20
100	M	10	0.022	0.024	5.40	11.20
120	M	12	0.024	-	4.90	-
150	M	15	0.027	0.031	4.50	9.00
180	M	18	0.039	-	3.90	-
220	M	22	0.043	0.040	3.60	7.57
270	M	27	0.046	-	3.40	-
330	M	33	0.065	0.070	3.00	6.22
390	M	39	0.073	-	2.75	-
470	M	47	0.100	0.080	2.50	5.28
560	M	56	0.110	-	2.35	-
680	M	68	0.140	0.105	2.10	4.26
820	M	82	0.160	0.143	1.95	3.80
101	M	100	0.220	0.163	1.70	3.52
121	M	120	0.250	-	1.60	-
151	M	150	0.280	0.247	1.42	3.01
181	M	180	0.350	-	1.30	-
221	M	220	0.390	0.376	1.16	2.36
271	M	270	0.560	-	1.06	-
331	M	330	0.640	0.574	0.95	2.00
391	M	390	0.700	-	0.88	-
471	M	470	0.980	0.861	0.79	1.64
561	M	560	1.070	-	0.73	-
681	M	680	1.460	1.080	0.67	1.38
821	M	820	1.640	1.470	0.60	1.26
102	M	1000	1.820	1.660	0.55	1.14

Notes:

- Test Frequency :
SSPC127: 1.2μH~7.6μH @100KHz 0.25V ; 10μH~1000μH @1KHz 0.25V
SSPC127H: 4.7μH~1000μH @100KHz 0.25V
- Test equipment :
L/Q : HP4284A or HP4285A LCR meter
DCR: Milli-ohm meter.
- Rated DC current: The current when the inductance decreases to 75% (SSPC127H: 70%) of its initial value or the actual current when the temperature of coil increases to ΔT=40°C.
- Operating temperature range : -40°C~+85°C (SSPC127H: -40°C~+105°C)