

4. SSPC Series (Shielded Type)

Applications

- Power supply for VTRs.
- Personal & Notebook computers.
- Smart Home Systems.
- Other various electronic appliances.

Features

- Directly connected electrode on ferrite core.
- With magnetic shielded against radiation.
- Flat bottom surface allows reliable mounting onto the board.
- High power, high saturation inductors.



Inductance and Rated Current ranges

Part Series	Inductances range	Rated Current range
* SSPC62B	2.9~330 μ H	1.94~0.19A
* SSPC64B	10~1000 μ H	1.35~0.14A
* SSPC73	1.0~1000 μ H	7.97~0.16A
* SSPC74	1.0~1000 μ H	8.00~0.18A
* SSPC124	1.5~330 μ H	8.75~0.50A
* SSPC125	1.3~1000 μ H	8.00~0.40A
* SSPC127	1.2~1000 μ H	9.80~0.55A
* SSPC127H	4.7~1000 μ H	15.90~1.14A

(Dimension data (Refer to Fig. 1))

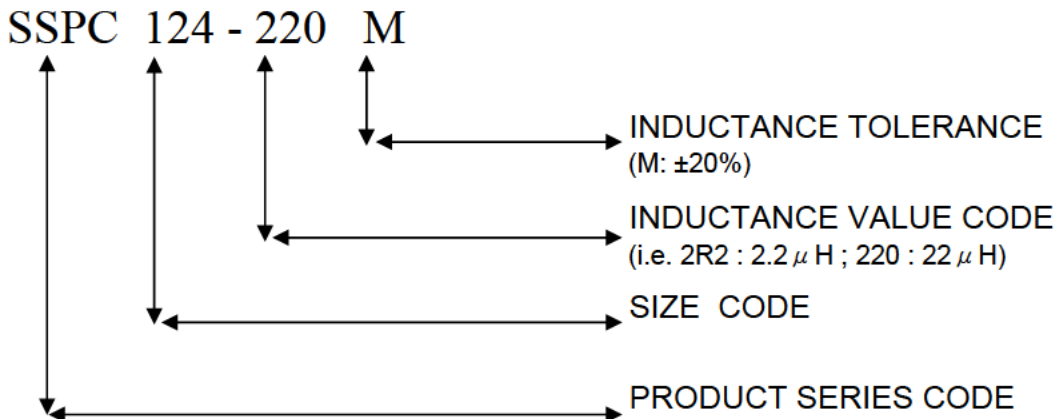
- Test equipment:
 - L: HP4284A or HP4285A LCR meter.
 - DCR: Milli-ohm meter.
 - Electrical specifications at 25°C.

Characteristics

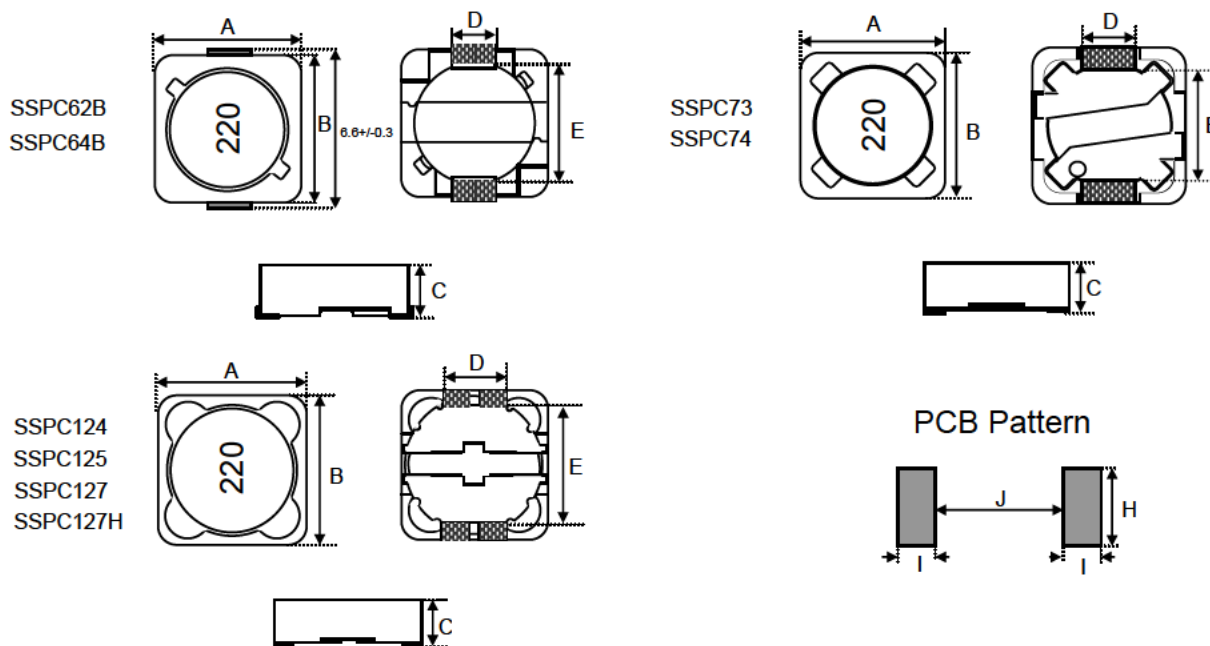
- Rated DC current: The current when the inductance decreases to 75% (SSPC127H: 70%) of its initial value or the actual current when the temperature of coil increases to $\Delta T=40^{\circ}\text{C}$. ($T_a=25^{\circ}\text{C}$)
- Operating temperature range: $-40^{\circ}\text{C}\sim+85^{\circ}\text{C}$. (SSPC127H: $-40^{\circ}\text{C}\sim+105^{\circ}\text{C}$)
- Test Frequency:
 - SSPC62B: 2.9 μ H~5.5 μ H @100KHz 0.25V ; 10 μ H~330 μ H @1KHz 0.25V
 - SSPC64B: 10 μ H~1000 μ H @1KHz 0.25V
 - SSPC73: 1.0 μ H~1000 μ H @1KHz 0.25V
 - SSPC74: 1.0 μ H~1000 μ H @1KHz 0.25V
 - SSPC124: 1.5 μ H~330 μ H @100KHz 0.25V
 - SSPC125: 1.3 μ H~7.5 μ H @100KHz 0.25V ; 10 μ H~1000 μ H @1KHz 0.25V
 - SSPC127: 1.2 μ H~7.6 μ H @100KHz 0.25V ; 10 μ H~1000 μ H @1KHz 0.25V
 - SSPC127H: 4.7 μ H~1000 μ H @100KHz 0.25V

4. SSPC Series (Shielded Type)

Part Numbering System



Dimensions (mm)



Series	A	B	C max	D	E	H	I	J
SSPC62B	6.2±0.3	5.9±0.3	3.0	1.5	4.6	1.9	1.4	4.6
SSPC64B	6.2±0.3	5.9±0.3	5.0	1.5	4.6	1.9	1.4	4.6
SSPC73	7.3±0.2	7.3±0.2	3.4	1.8	5.0	2.2	1.6	4.8
SSPC74	7.3±0.2	7.3±0.2	4.5	1.8	5.0	2.2	1.6	4.8
SSPC124	12.0±0.3	12.0±0.3	4.5	5.0	7.6	5.4	2.9	7.0
SSPC125	12.0±0.3	12.0±0.3	6.0	5.0	7.6	5.4	2.9	7.0
SSPC127	12.0±0.3	12.0±0.3	8.0	5.0	7.6	5.4	2.9	7.0
SSPC127H	12.0±0.3	12.0±0.3	8.0	5.0	7.6	5.4	2.9	7.0

4. SSPC Series (Shielded Type)

Electrical Characteristics

SSPC 124 / 125 TYPE

Inductance value code	Tol.	L (μH)	DC Resistance (Ω) Max.		Rated DC Current (A) Max.	
			SSPC124	SSPC125	SSPC124	SSPC125
1R3	M	1.3	-	0.012	-	8.00
1R5	M	1.5	0.008	-	8.75	-
2R1	M	2.1	-	0.014	-	7.00
2R2	M	2.2	-	0.014	-	7.00
2R5	M	2.5	0.013	-	8.00	-
3R1	M	3.1	-	0.017	-	6.00
3R3	M	3.3	0.015	0.014	6.50	6.75
3R9	M	3.9	0.015	-	6.50	-
4R4	M	4.4	-	0.020	-	5.00
4R7	M	4.7	0.018	0.018	5.70	6.20
5R8	M	5.8	-	0.021	-	4.40
6R8	M	6.8	0.023	0.023	4.90	5.90
7R5	M	7.5	-	0.024	-	4.20
8R2	M	8.2	0.026	-	4.60	-
100	M	10	0.028	0.025	4.50	4.00
120	M	12	0.038	0.027	4.00	3.50
150	M	15	0.050	0.030	3.20	3.30
180	M	18	0.057	0.034	3.10	3.00
220	M	22	0.066	0.036	2.90	2.80
270	M	27	0.080	0.051	2.80	2.30
330	M	33	0.097	0.057	2.70	2.10
390	M	39	0.132	0.068	2.10	2.00
470	M	47	0.150	0.075	1.90	1.80
560	M	56	0.190	0.110	1.80	1.70
680	M	68	0.220	0.120	1.50	1.50
820	M	82	0.260	0.140	1.30	1.40
101	M	100	0.308	0.160	1.20	1.30
121	M	120	0.380	0.170	1.10	1.10
151	M	150	0.530	0.230	0.95	1.00
181	M	180	0.620	0.290	0.85	0.90
221	M	220	0.700	0.400	0.80	0.80
271	M	270	0.876	0.460	0.60	0.75
331	M	330	0.990	0.510	0.50	0.68
391	M	390	-	0.690	-	0.65
471	M	470	-	0.770	-	0.58
561	M	560	-	0.860	-	0.54
681	M	680	-	1.200	-	0.48
821	M	820	-	1.340	-	0.43
102	M	1000	-	1.530	-	0.40

Notes:

1. Test Frequency :
 SPC124: 1.5μH~330μH @100KHz 0.25V
 SPC125: 1.3μH~7.5μH @100KHz 0.25V ; 10μH~1000μH @1KHz 0.25V
2. Test equipment :
 L/Q : HP4284A or HP4285A LCR meter
 DCR: Milli-ohm meter.
3. Rated DC current: The current when the inductance decreases to 75% of its initial value or the actual current when the temperature of coil increases to ΔT=40°C.
4. Operating temperature range : -40°C~+85°C