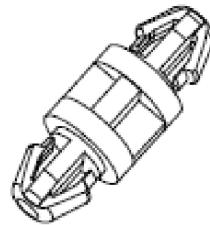
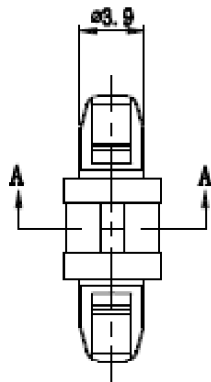
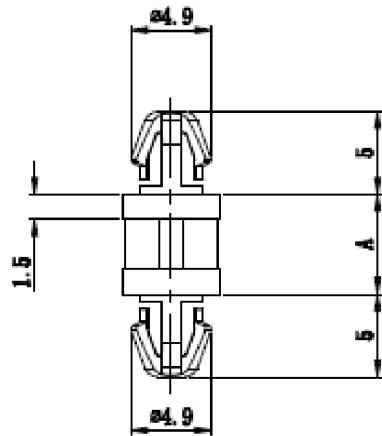


SECTION A-A



Type	A
SS SP-2-3-02	3
SS SP-2-4-02	4
SS SP-2-6-02	6
SS SP-2-10-02	10
SS SP-2-12-02	12
SS SP-2-14-02	14
SS SP-2-16-02	16
SS SP-2-18-02	18

- 1. MATERIAL: NYLON 66 UL-94V2/UL94V0;
- 2. COLOR: NATURAL;
- 3. ROHS Compliant;
- 4. Hole: Snap-lock: $\varnothing 4.0 \pm 0.08\text{mm}$
Panel Thickness: 1.6mm.

TOLERANCE		SCHMID-M
SCALE	UNIT mm	
DRAW Walter	DATE 13.6.2022	TITLE SS SP-2-XX-02
CHECK Vanda	REV	DESCRIPTION DUAL LOCKING SUPPORT POST