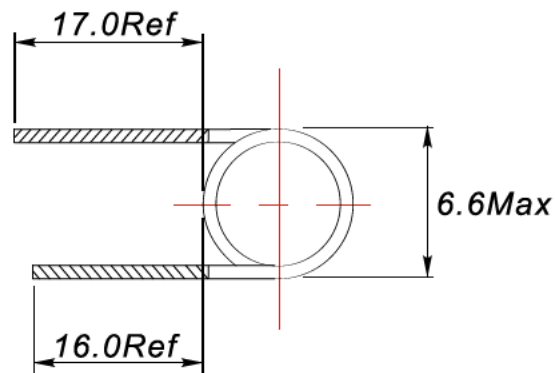
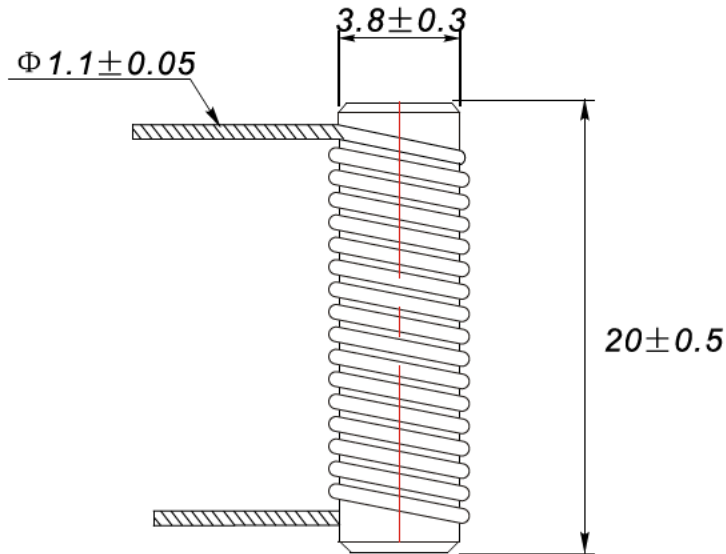


Rev.	Description	Date

### 1. PHYSICAL CHARACTERISTICS (mm)

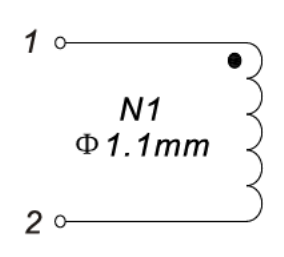


Top view

#### NOTES:

Temp 20°C 48%RH  
RoHS Compliant

### 2. ELECTRONICAL SCHEMATIC



### 3. ELECTRONICAL SPECIFICATIONS

$L(1-2)$ : 3.8~5.5  $\mu$ H @ 1KHz, 0.1V

$DCR(1-2)$ : 6.0  $m\Omega$  Max

$IDC$ : 16.0A Max

Operating temperature: -55°C to +155°C

Core: R3.8X20

Note:

1. Solderability: leads shall meet MIL-STD-202, Method 208D for solderability.

2. Flammability: UL94V-0

3. ASTM oxygen index: >28%

NAME:	SRH 0H20, R 3.8x20		
DATE:	2017-09-05	REV:	A0
PAGE:			
DRAWN BY	CHECKED BY	APPROVE BY	