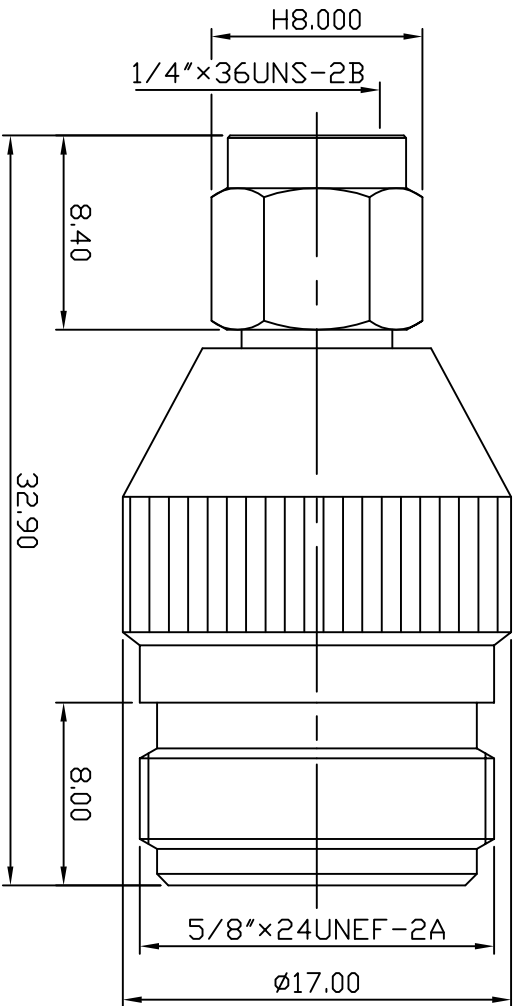


Impedance : 50 ohm
 Frequency Range : 0-11GHZ
 VSWR : 1.3 max
 Voltage Rating : 500 voles rms max
 Insulation Resistance : 5000 meg ohm min



MATERIAL : BODY-BRASS

CONTACT-BRASS

INSULATOR-TEFLON

SHELL-BRASS

C WASHER-SUS 304

GASKET-SILICONE

FINISH : BODY-NICKEL PLATING

SHELL-NICKEL PLATING

CONTACT-GOLD PLATING OVER NICKEL

DIMENSIONS ARE IN MILLIMETERS			
TOLERANCE			
. . x ±0.5 . x x ±0.1 . x x x ±0.05	ANGLE ±3°	SCALE 3:1	
	REV	A-1	
DRAWN	DATE	90.10.04	
APPROVAL	DATE		
SCHMID-M		TITLE SMA MALE TO N FEMALE	
		DRAWING NO SMap-Nj-602-TGN	
		FILE NO	