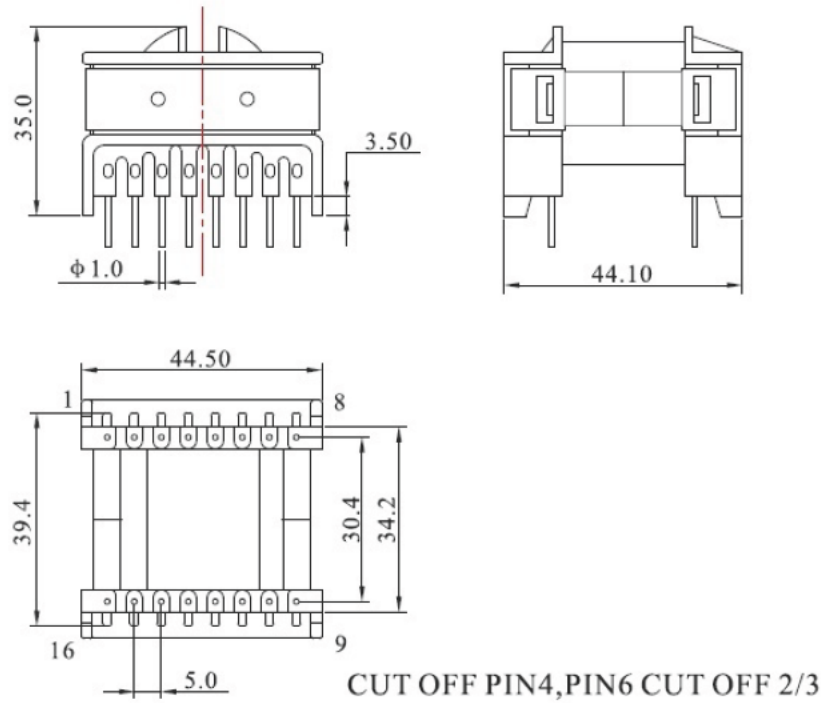


MECHANICAL DIMENSION:(UNIT:mm)



WINDING:

WDG	TERMINAL	WIRE SIZE	TURNS	TAPE	REMARKS
N1	5-6	2UEW ϕ 0.60mm*2P	18Ts	2Ts	
N2	3-2	2UEW ϕ 0.45mm*1P	4Ts	3Ts	
N3	14-15	2UEW ϕ 0.55mm*4P	2Ts	2Ts	N3 N4 B.F
N4	13-14	2UEW ϕ 0.55mm*4P	3Ts		
N5	11-12	2UEW ϕ 0.55mm*4P	2Ts	3Ts	N5 N6 B.F
N6	10-11	2UEW ϕ 0.55mm*4P	3Ts		
N7	6-7	2UEW ϕ 0.60mm*2P	18Ts	3Ts	

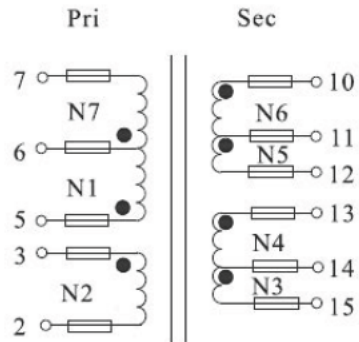
TECHNICAL PARAMETER:

NO.	ITEM	MEASURED POINT	TECHNICAL DATA	TEST CONDITION & INSTRUMENT
1	INDUCTANCE	L5-7	440uH +/-10%	10KHz 0.1V
2	HI-POT	PR1 TO SEC	AC4.0KV 5mA 1MIN	epe 7112
		P,S TO CORE	AC1.5KV 5mA 1MIN	

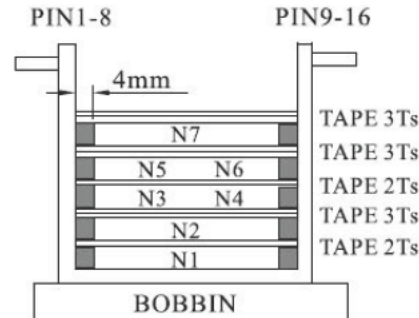
MATERIAL LIST:

NO.	ITEM	MATERIALS	RATING	FILE NO	SUPPLIERS
1	BOBBIN	PHENOLIC T375J	130°C	E59481(S)	CHANGCHUN PLASTICS CO.,LTD
		ULRATING:94V-0			
2	CORE ETD39	TP4 GAP	---	N/A	TDG
		PC40	---	N/A	TDK
3	WIRE	2UEW	155°C	E84081	PACIFIC ELECTRIC WIRE&CABLE CO.LTD
4	TAPE	PZ-280	130°C	E165111	JINGJIANG YAHUA PRESSURE SENSITIVE GLUE CO., LTD.
5	VARNISH	T4260A	130°C	E228349	WU JIANG TAIHU INSULATING MATERIAL CO LTD
6	CLAMP	SUS301 ETD39	N/A	N/A	CHUANGSHUN
7	TUBE	PTFE CB-TTL	200°C	E180908	SHENZHEN CHANGYUAN CO., LTD.

SCHEMATIC:



WINDING CONSTRUCTION:



TOLERANCE			
SCALE	UNIT mm		
DRAW Walter	DATE 15.12.2023	TITLE	
CHECK Vanda	REV	SM TRA ETD39-022-2	
		DESCRIPTION	
		TRAFO THT ETD39	