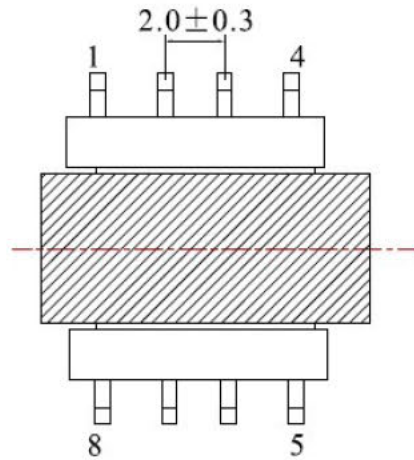
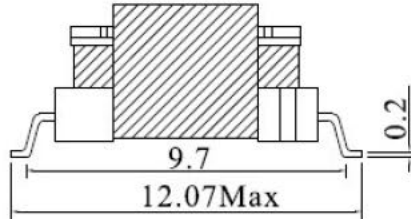
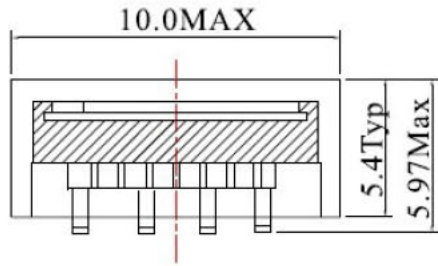
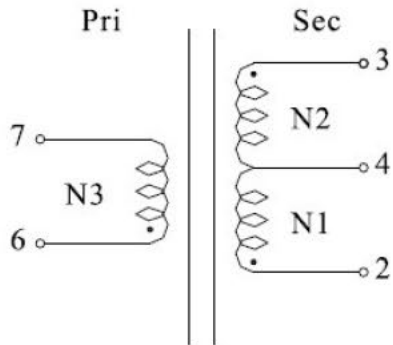


MECHANICAL DIMENSION:(UNIT:mm)

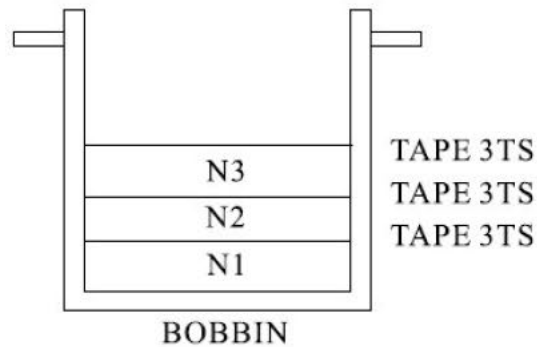


PIN VIEW

SCHEMATIC:



WINDING CONSTRUCTION:



WINDING:

WDG	TERMINAL	WIRE SIZE	TURNS	TAPE	DCR	REMARK
N1	2-4	φ0.13mm*1p PN15P	46Ts	3Ts	1.18ΩMax	
N2	3-4	φ0.13mm*1p PN15P	7TS	3Ts	210mΩMax	
N3	6-7	φ0.16mm*1p P180G1	18TS	3Ts	350mΩMax	

ELECTRICAL CHARACTER:

NO.	ITEM	MEASURED POINT	TECHNICAL DATA	TEST CONDITION & INSTRUMENT
1	INDUCTANCE	6-7	80uH±10%	100KHz, 1V
2	LK	6-7	1.5uH±33%	100KHz, 1V, Short 2,3,4
3	HI-POT	Pin2-Pin6	AC1500V,5mA,2S	
		Coil TO Core	AC1000V,5mA,2S	

MATERIAL LIST:

NO.	ITEM	MATERIALS	RATING	FILE NO	SUPPLIERS
1	BOBBIN	LCP	130°C	E59481(S)	CHANGCHUN PLASTICS CO.,LTD
		UL RATING:94V-0			
2	CORE	TP4	---	---	TDG
		ER9.5	PC40	---	---
3	WIRE	PN15P	155°C	E258243	ELEKTRISOLA HANGZHOU CO LTD
		P180G1	180°C	E258243	ELEKTRISOLA HANGZHOU CO LTD
4	TAPE	#201 Kapton TAPE	180°C	E229667	JINZHANG INSULATION MATERIALS CO., LTD.
5	VARNISH	T4260A	130°C	E228349	WU JIANG TAIHU INSULATING MATERIAL CO LTD

TOLERANCE			
SCALE	UNIT mm		
DRAW Johnson	DATE 7.6.2023	TITLE	
CHECK Vachl	REV	<b>SM TRA ER9.5 SMD 1W</b>	
		DESCRIPTION	
		Power Transformer SMD, 10x12,07x6; ER9.5	