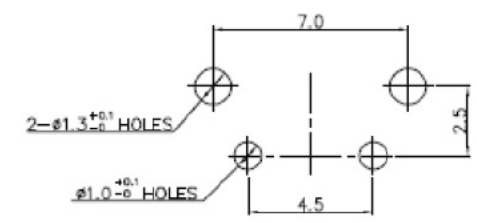
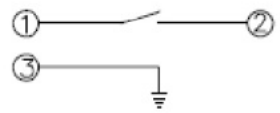


P.C.B MOUNTING HOLES

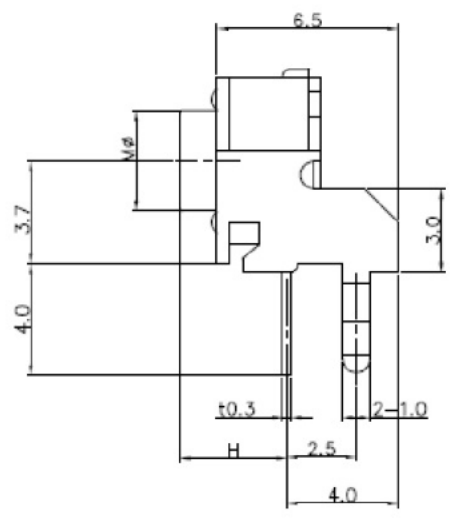
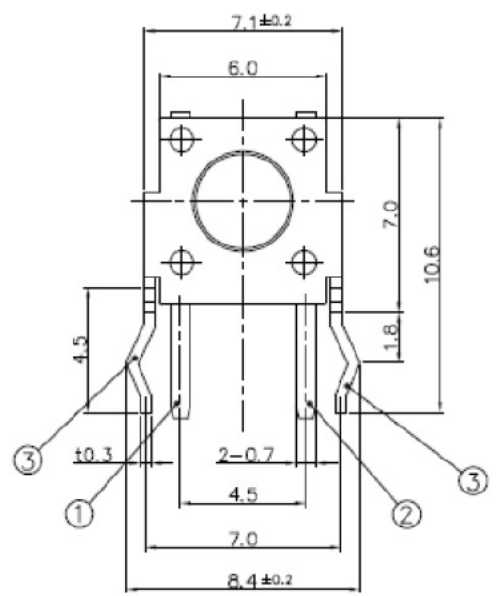


CIRCUIT DIAGRAM



SPECIFICATION

- 1. RATING : DC 12V 50mA
- 2. TRAVEL : 0.25 ±0.1mm
- 3. CONTACT RESISTANCE : 100mΩMAX.
- 4. OPERATING FORCE : 160±50gf
- 5. BOUNCE : 10m SEC MAX.
- 6. LIFE CYCLE : 80,000 CYCLE



MODEL	H (mm)	M(Ø)
SM TACT 1236	3.15	3.4
SM TACT 1236A	3.85	3.4
SM TACT 1236B	8.35	3.3
SM TACT 1236C	6.85	3.4
SM TACT 1236D	11.85	2.8
SM TACT 1236G	5.85	3.4

TOLERANCE		
SCALE	UNIT mm	
DRAW Walter	DATE 2.5.2024	SM TACT 1236 Y
CHECK Breez	REV	
		DESCRIPTION
		Switch tact THT Right Angle