



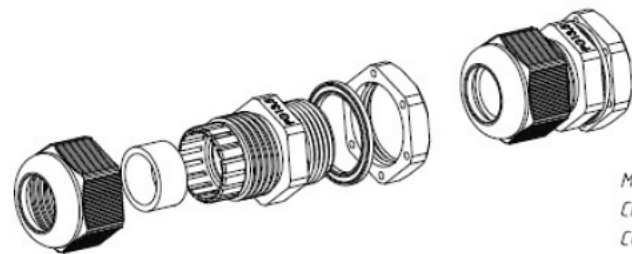
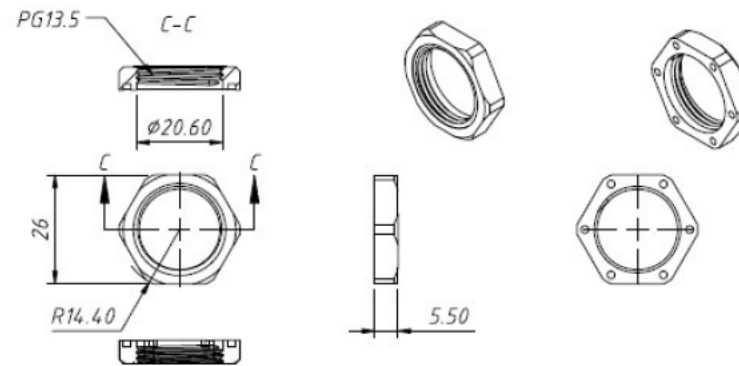
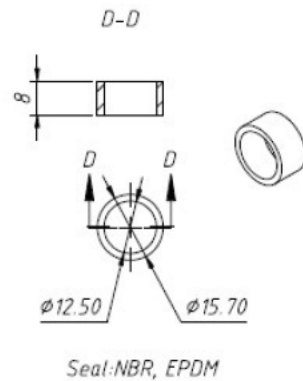
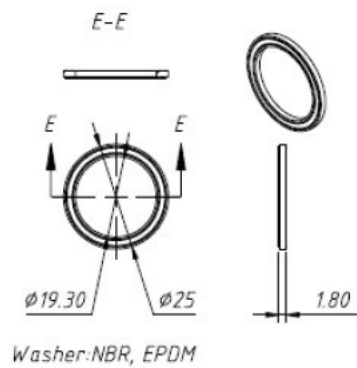
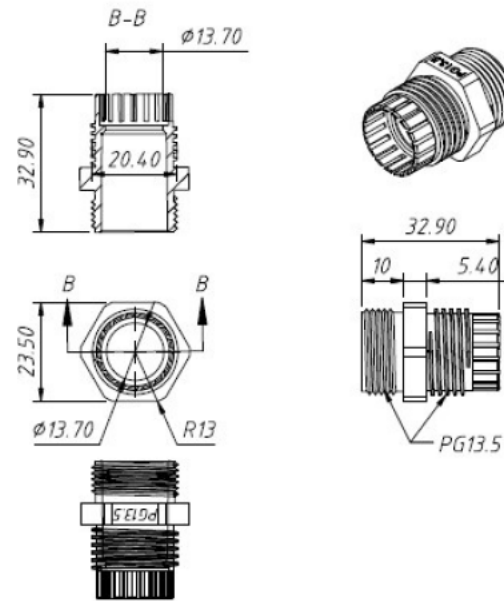
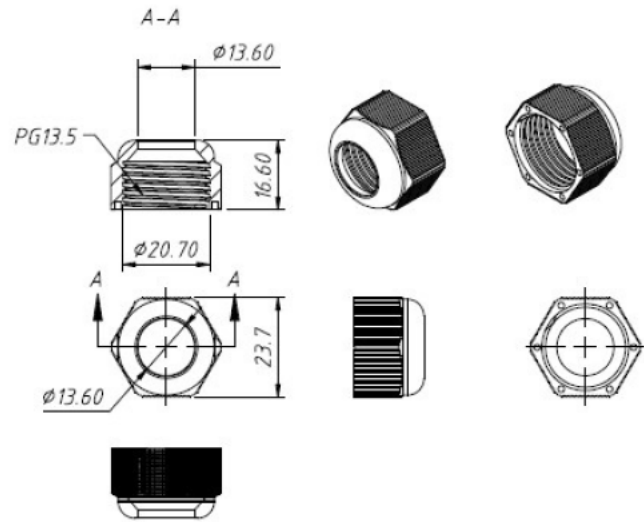
Item No.	Cable Range >Ø < (mm)	Outer diameter of thread (mm)	Mounting hole diameter (mm)	Thread length L(mm)	Joint length H(mm)	Wrench diameter (MM)
PG-07	3~6.5	12.5	12.5~12.8	8	22	16
PG-07S	2~5	12.5	12.5~12.8	8	22	16
PG-09	4~8	15.2	15.2~15.5	8	26	19
PG-09S	2~6	15.2	15.2~15.5	8	26	19
PG-11	5~10	18.6	18.6~18.9	8	27	22
PG-11S	3~7	18.6	18.6~18.9	8	27	22
PG-13.5	6~12	20.4	20.4~20.7	9	28	24
PG-13.5S	5~9	20.4	20.4~20.7	9	28	24
PG-16	10~14	22.5	22.5~22.8	10	30	27
PG-16S	7~12	22.5	22.5~22.8	10	30	27
PG-19	12~16	24	24~24.3	10	30	27
PG-19S	10~13	24	24~24.3	10	30	27
PG-21	13~18	28.3	28.3~28.6	10	35	33
PG-21S	9~16	28.3	28.3~28.6	10	35	33
PG-25	16~21	30	30~30.3	11	34	35
PG-25S	13~18	30	30~30.3	11	34	35
PG-29	18~25	37	37~37.3	12	40	42
PG-29S	13~20	37	37~37.3	12	40	42
PG-36	22~32	47	47~47.3	14	48	52
PG-36S	20~26	47	47~47.3	14	48	52
PG-42	32~38	54	54~54.3	14	49	60
PG-42S	25~31	54	54~54.3	14	49	60
PG-48	37~44	59.3	59.3~59.6	14	50	64
PG-48S	29~35	59.3	59.3~59.6	14	50	64
PG-63	42~50	70	70~70.3	27	60	72





Nylon Cable Glands

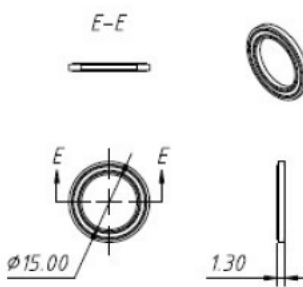
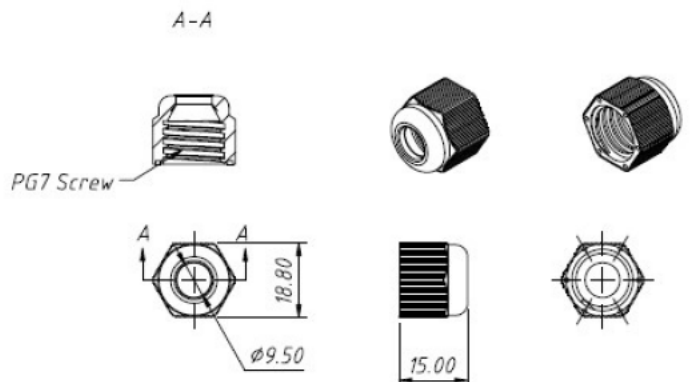
Material: Nylon PA6
 Sealing: NBR, EPDM
 Working temperature: -35°C ~100°C , (120°C , short time)
 Characteristics: IP65, I P67, I P68
 Color: Black , light grey

TOLERANCE			
SCALE	UNIT		
DRAW	Brise	DATE	TITLE SM Cable Gland PG-XX
CHECK	Johnson	REV	
		DESCRIPTION	

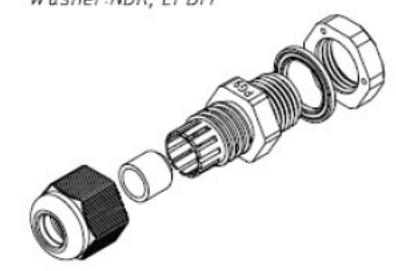


Material:Nylon PA6 ,UL 94 V-2
 Characteristics:IP65,IP67,IP68
 Color:Black

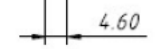
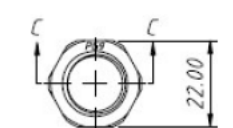
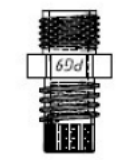
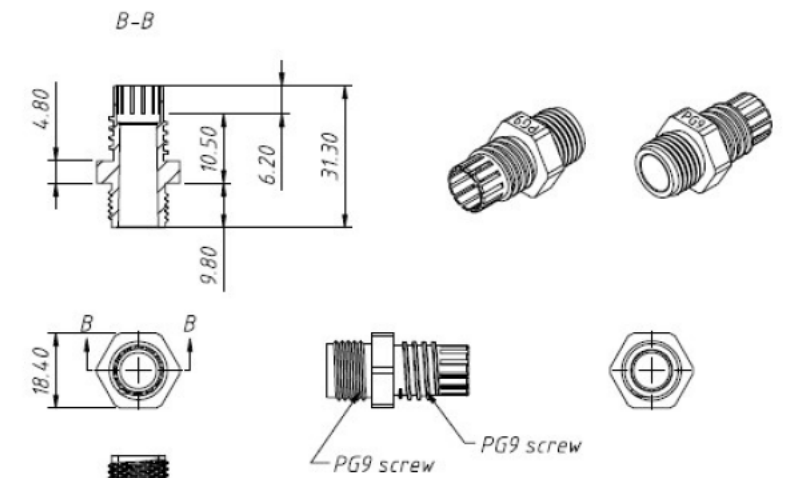
TOLERANCE			
SCALE	UNIT		
DRAW	Brise	DATE	TITLE SM Cable Gland PG-XX
CHECK	Johnson	REV	
		DESCRIPTION	





Washer: NBR, EPDM



Material: Nylon PA6, UL94V-2
 Characteristics: IP65, IP67, IP68
 Color: Black



TOLERANCE		
SCALE	UNIT	
DRAW	Brise	DATE
CHECK	Johnson	REV
		TITLE
		SM Cable Gland PG-XX
DESCRIPTION		

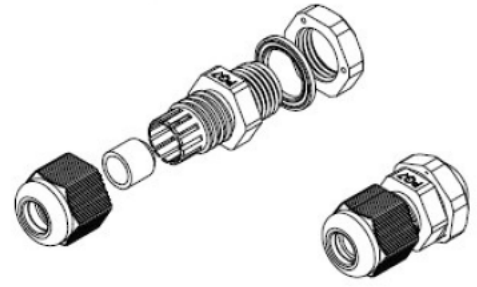
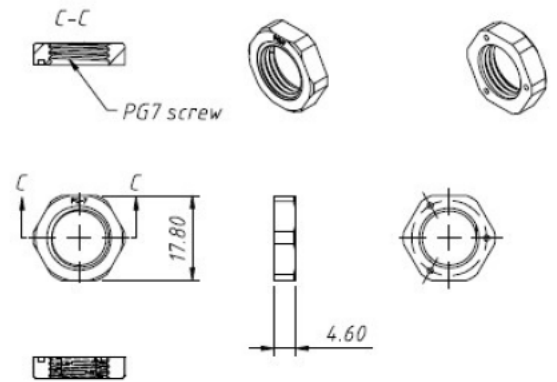
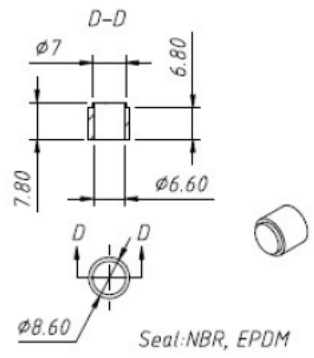
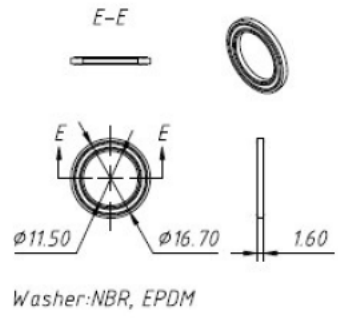
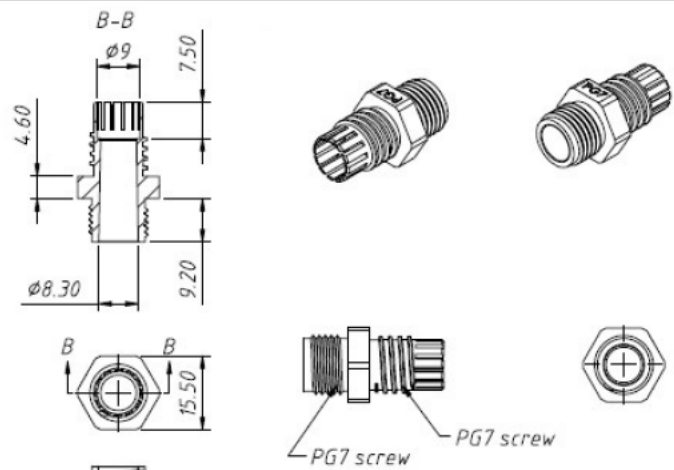
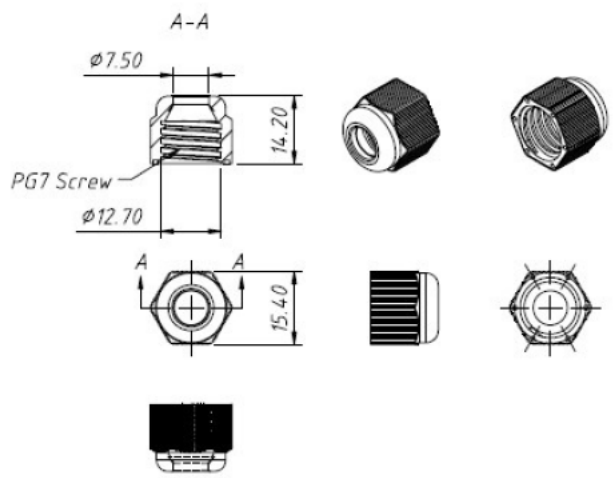
1 2 3 4 5 6 7 8

A A


B B

C C

D D



Material: Nylon PA6 ,UL94V-2
 Characteristics: IP65, IP67, IP68
 Color: Black

TOLERANCE		SCHMID-M
SCALE	UNIT	
DRAW	Brise	DATE
CHECK	Johnson	REV
		TITLE
		SM Cable Gland PG-XX
		DESCRIPTION

1 2 3 4 5 6 7 8

1 2 3 4 5 6 7 8

D

D

C

C

B

B

A

A