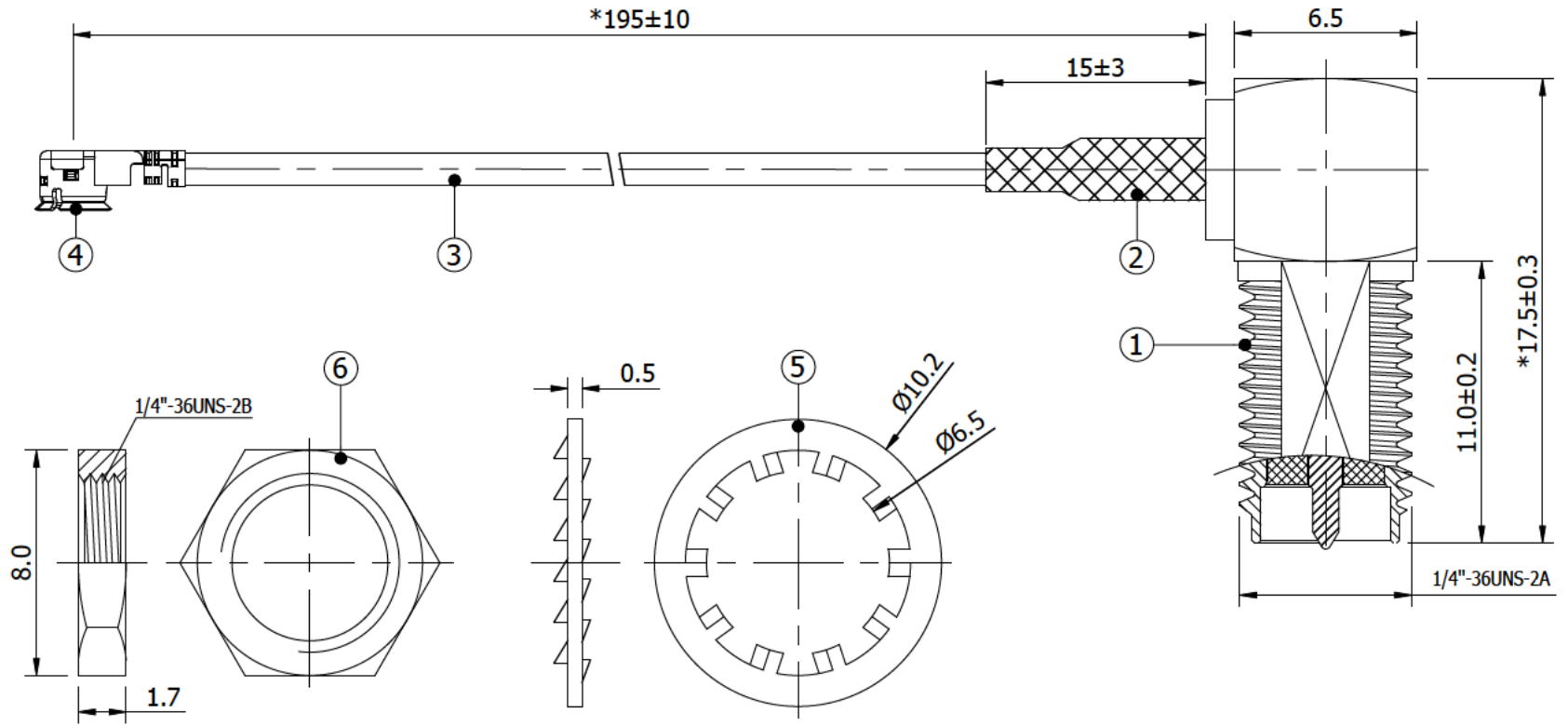


REV	DATE	DESCRIPTION
X1	11/01-2024	New Issue



1.ELECTRICAL PROPERTIES:

- 1.1 Frequency Range.....0-6GHz
- 1.2 Impedance.....50 Ohm Nominal
- 1.3 VSWR.....2.0(Max)

2.These Products are in conformity with ROHS 2.0

3.The connector and fittings complied with the 48-hour salt spray test;

4.Strict sizes are marked with "*" and "(" for reference

NO	DESCRIPTION	Q'TY	REMARK
6	Nut	1	Brass,Gold Plated
5	Washer	1	Brass,Gold Plated
4	Connector	1	IPEX-1 compatible;Gold-Plated
3	Coaxial cable	1	φ1.13 Coaxial Cable;Black
2	Tube	1	Heat Shrink Tube,Black
1	Connector	1	RP-SMA,Female; Gold Plated

CUSTOMER'S SIGNATURE	XXX. ±3.0	APPROVED	CUSTOMER:		
	XX. ±1.0		PART NO: SM CAB NO. 241101		
	X. ±0.5	CHECKED	PART NAME: RF Cable Assembly		
	.X ±0.3	Vanda	Z&X P/NO:		
	.XX ±0.2	DRAWING	REV	UNIT	FILE:
		Walter steven	X1	m/m	SHEET: 1/1

SCHMID-M

SM CAB RP-SMA-1251+1,13Cable-195mm+UFL