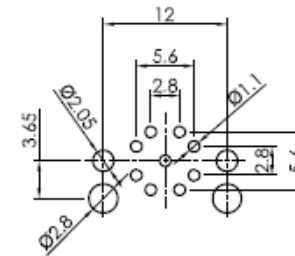
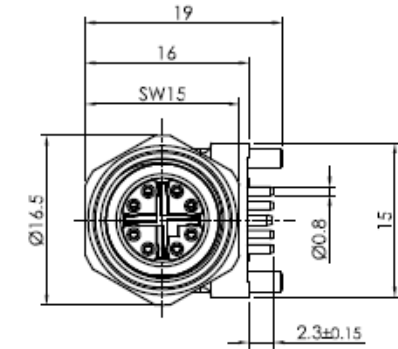
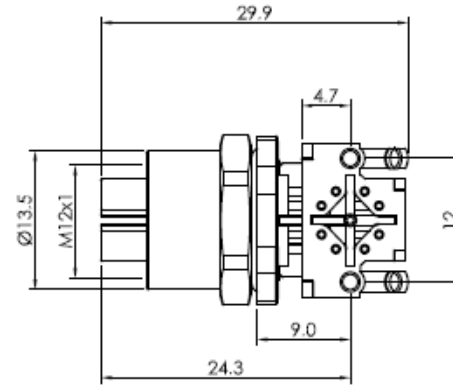
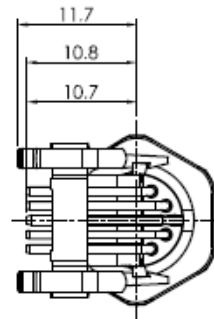


**Panel Cut-Out**



**Materials:**

- Contacts: CuSn, Gold Plated
- Insert: PA66
- Locking Shell: CuZn, Nickel Plated
- Fixture Shell: Zinc-Die, Nickel Plated
- X type Insert: Zinc-Die, Nickel Plated
- Saeling: NBR, BK

**Technical specifications:**

- Connector lockung system: Screw
- Termination: Soldering
- Temperature range: -25°C ~ +85°C
- Degree of protection: IP67 when mated
- Mating cycles: >100
- Rated voltage: 30V AC/DC
- Rated current: 5A
- Contact resistance: <5m Ohm
- Insulation resistance: >100M Ohm

TOLERANCE		<b>SCHMID-M</b>
SCALE	UNIT mm	
DRAW Johnson	DATE 18.5.21	TITLE <b>SM C10 PF12-S88-FF312-X-Code-RA</b>
CHECK	REV	DESCRIPTION M12 Female Right Angled PCB X code