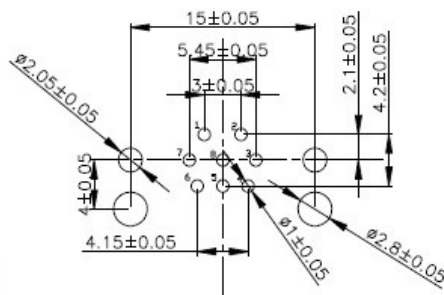
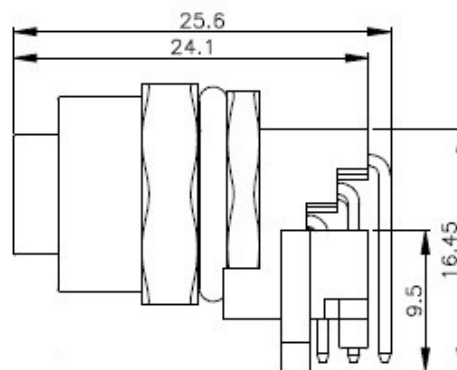
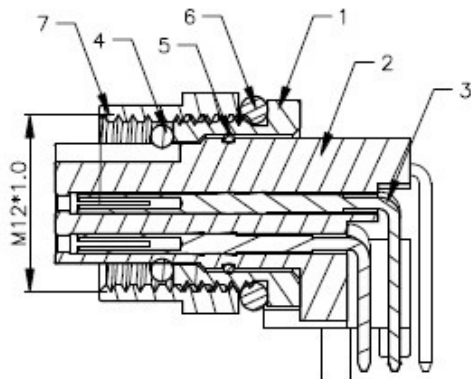


Panel opening dimension



P.C.B. PATTERN LAYOUT

Connector Spec.

1. RoHS
2. Water Proof: IP67
3. Operating Temp. : -40°C - +85°C
4. Mating Life: >500 times
5. Rated Voltage: 60V
6. Rated Current: 2A
7. Insulator material: PA
8. Contact Material: Tin bronze plated gold 0.1um.
9. Contact Resistance:  $\leq 3m\Omega$

No.	Name	Material
7	NUT	COPPER ALLOY, PLATED-NI
6	SEALING RING	NBR, BLACK
5	SEALING RING	NBR, BLACK
4	SEALING RING	NBR, BLACK
3	CONTACT PIN	QSN4-3, PLATED-Au
2	INSULATOR	PA, BLACK
1	OUTER SHELL	COPPER ALLOY, PLATED-NI

TOLERANCE		UNIT	
SCALE		UNIT	mm
DRAW	Walter	DATE	1.5.2023
CHECK	Vanda	REV	



TITLE  
**SM C10 FM-S88-F0822-A**



DESCRIPTION  
Connector M12, A-code, 8 pin, Receptacle, Female PCB