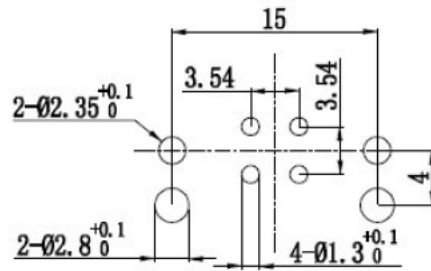
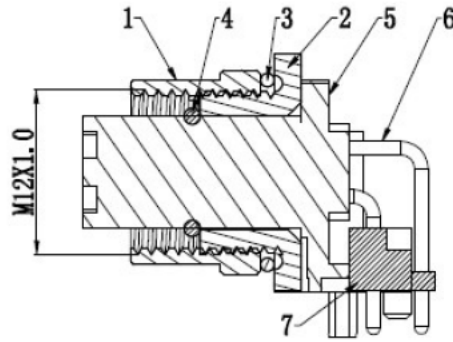


Panel opening dimension

7	SET PIECE	PA,BLACK
6	CONTACT PIN	COPPER ALLOY,PLATED-Au
5	INSULATOR	PA,BLACK
4	SEALING RING	NBR,BLACK
3	SEALING RING	NBR,BLACK
2	NUT	COPPER ALLOY,PLATED-NI
1	OUTER SHELL	COPPER ALLOY,PLATED-NI
No.	Name	Material



P.C.B. PATTERN LAYOUT



SECTION:A-A

Connector Spec.

1. RoHS
2. Water Proof: IP67
3. Operating Temp. : -40°C - +85°C
4. Mating Life: >500 times
5. Rated Voltage: 250V
6. Rated Current: 4A
7. Insulator material: PA
8. Contact Material: Tin bronze plated gold 0.1um.
9. Contact Resistance: ≤3mΩ

TOLERANCE		SCHMID-M
SCALE	UNIT mm	
DRAW Walter	DATE 18.5.2023	TITLE SM C10 PF-S44-F422-D
CHECK Vanda	REV	DESCRIPTION Connector M12, D-code, 4pin, Receptacle, Female PCB