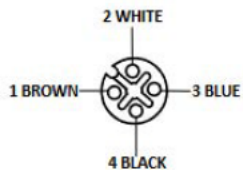




Pin Assignment



General Specification

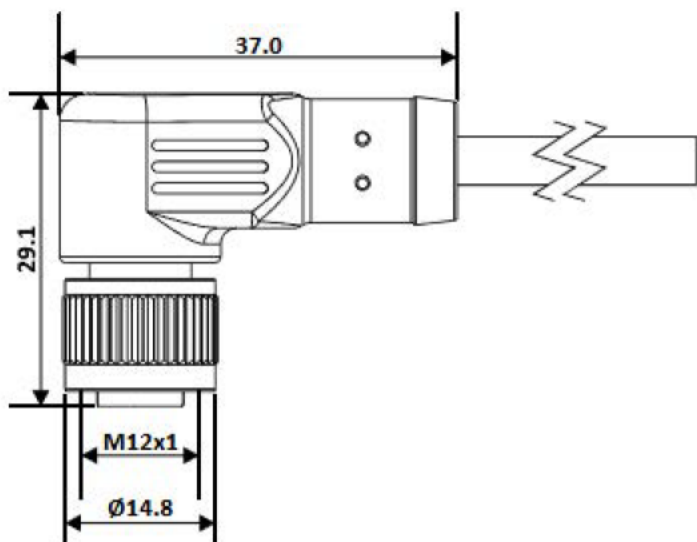
Rated Operational Voltage	250 V
Current Rating	4A
Insulation Resistance	>= 100 MΩ
Temperature Range	-25°C ... +75°C
Degree of Protection	IP67

Material Specification

Grip Material	PU
Contact	Cu-Zn
Contact Plating	Gold Flash
Contact Carrier	Nylon 66
O-Ring	Neoprene
Grip Colour	Black
Coupling Nut	Brass Nickel-Plated

Cable Specification

Cable Length-L	5 m
Cable Type	4 Core PVC Multi Strand
Sheath Colour	Black
Cross Section of Wire	0.25 sq. mm
Core Dia	1.25 mm
Cable Dia	4.8 ± 0.1 mm
Termination	Partially Stripped



TOLERANCE		
SCALE	UNIT mm	
DRAW Brouwn	DATE 13.8.2023	TITLE
CHECK Walter	REV	SM C10 BF 12-R44NO-xxBPVC
		DESCRIPTION
		M12 Female 90° 4pin with Cable