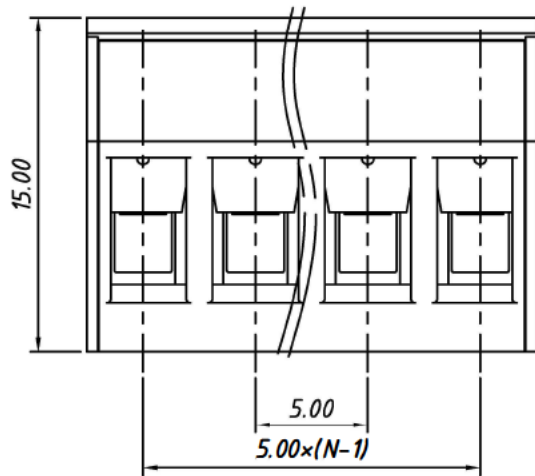


SECTION A A



Material
 Housing: PA66, UL94 V-0
 Cage: Brass, Nickel plated
 Clamp: Phosphor Bronze, Nickel plated
 Screw: M3.0 steel, Zn plated

Electrical
 Rated voltage: 300V
 Rated current: 15A
 Contact Resistance: 20 mΩ
 Insulation resistance: 500MΩ/DC500V
 Withstand voltage: AC2000V / 1 min
 Wire Range: 28 ~ 14AWG/2.5mm²

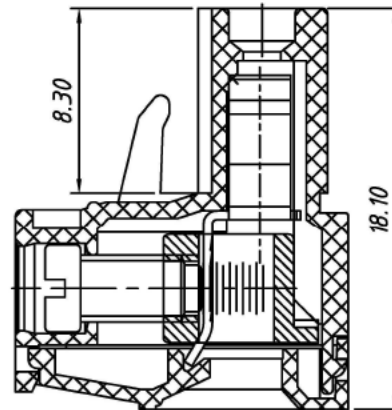
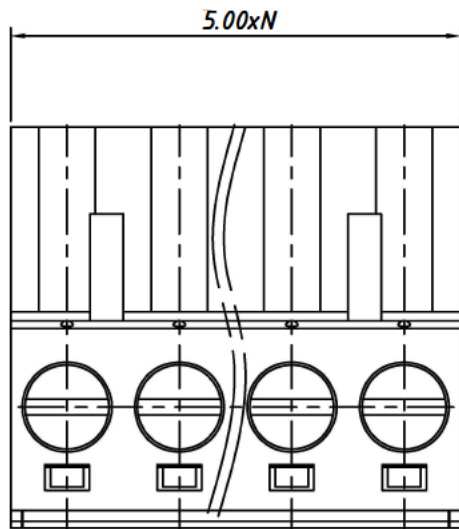
Mechanical
 Temp. Range: -40 °C ~ + 105 °C
 Strip length: 7 ~ 8mm
 Torque: 5.1kgf-cm (0.5Nm/4.43Lbin)

Order Information
 SM C09 0504a XX YOC

No.: of Pole

GENERAL TOLERANCE		ANGLE TOLERANCE		PROJECTION	Description:
X. ±0.60	X. ±5°	UNITS		mm	Plug in TERM BLOCK 5.00MM SM C09 0504a XX YOC
.X ±0.38	.X ±3°	SHEET SIZE		A4	
.XX ±0.25	.XX ±2°			KLS P/N:	
Draw by: Date		2015 09 01			
Check by: Date		2015 09 15			
SCALE		SHEET		OF	





SECTION A A

Material

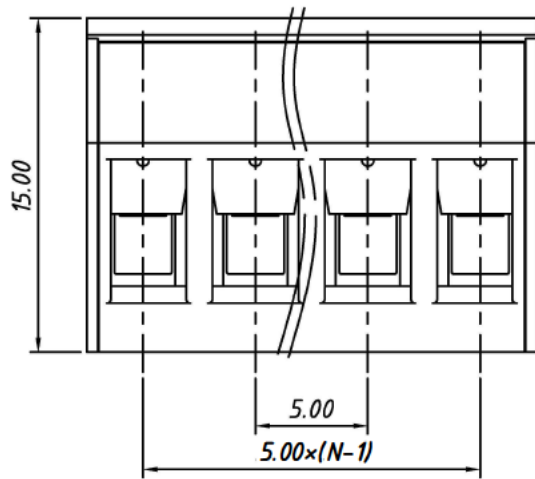
Housing: PA66, UL94 V-0
 Cage: Iron, Nickel plated
 Clamp: Phosphor Bronze, Nickel plated
 Screw: M3.0 steel, Zn plated

Electrical

Rated voltage: 300V
 Rated current: 15A
 Contact Resistance: 20 mΩ
 Insulation resistance: 500MΩ/DC500V
 Withstand voltage: AC2000V / 1 min
 Wire Range: 28 ~ 14AWG/2.5mm²

Mechanical


Temp. Range: -40 °C ~ + 105 °C
 Strip length: 7.8mm
 Torque: 5.1kgf-cm(0.5Nm/4.43Lbin)



Order Information

SM C09 0504a XX YOC

No. of Pole

GENERAL TOLERANCE		ANGLE TOLERANCE		PROJECTION	Description:	
X. ±0.60	.X ±0.38	.X ±5°	.X ±3°	UNITS		Plug in TERM BLOCK 5.00MM(Iron)
.XX ±0.25	.XX ±2°			SHEET SIZE	SM C09 0504a XX YOC	
				KLS P/N:		
Draw by: Date		2015 09 01				
Check by: Date		2015 09 15				
SCALE		SHEET	OF			