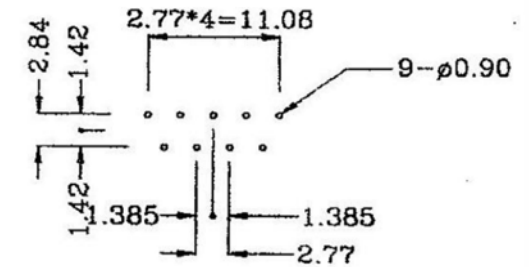
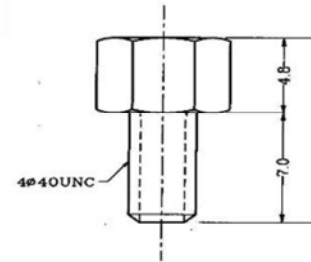
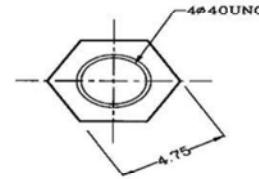


	A±0.13	B±0.10	C±0.15	D <sup>+0.10</sup> <sub>-0.05</sub>	E±0.10	F±0.10	G±0.10	H±0.10
9	30.80	25.00	16.30	14.60	6.30	7.90	12.50	6.20
15	39.20	33.30	24.60	23.20	6.30	7.90	12.50	6.20
25	53.05	47.05	38.30	36.60	6.30	7.90	12.50	6.20
37	69.40	63.50	54.80	53.30	6.30	7.90	12.50	6.20
50	67.00	61.00	52.20	50.70	6.30	10.90	15.30	6.40



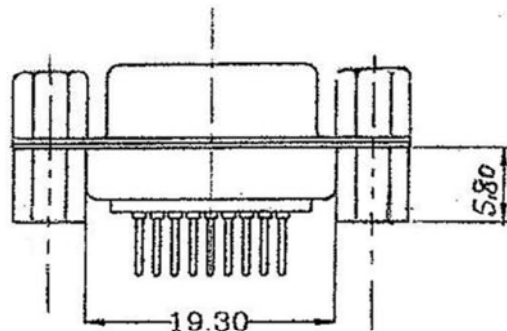
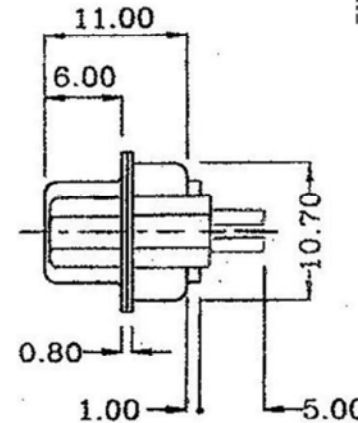
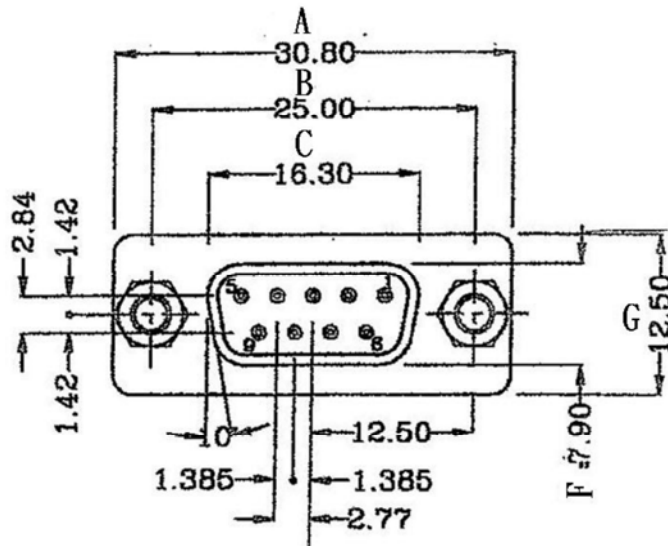
### P.C BOARD LAYOUT

### Electrical

- Contact Resistance : 20 milliohms Max at 1 AMP DC.
- Insulation Resistance : 1000 magohms at 500 VDC
- Dielectric Withstanding Voltage : 1000 VAC/rms 60Hz for 1 minute
- Current Rating : 3 AMP
- Volatge Rating : 250 VAC/rms 60Hz

### Material

- Insulator : Glass-Filled Thermoplastic PBT,UL94V-0 rated
- Contact : Brass
- Shell : Steel, refer to ordering information for plating
- Clinch Nut : Brass, 100u" min Nickel Plated.
- Screwlock : Brass, 100u" min Nickel Plated.



RoHS  
Compliant

**SCHMID-M**

APPD.



TOLERANCE

PART NAME

DWG.

Helen

SCALE

0 ± 0.25

D-SUB PCB STRAIGHT STAMPED PIN XXP FEMALE 5.8mm  
OPEN HEX RIVET REAR RIVET FIX SCREWS  
(TIN or Nickel SHEL)ROHS

DATE

2012/9/4

UNIT

M M

SIZE

A 4

PART NO.

PAGE

1 OF 1

REV.

A

SM C05 0541 XX FD