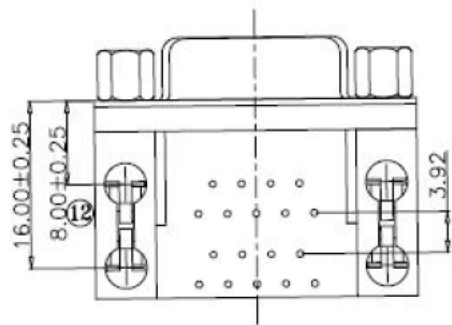
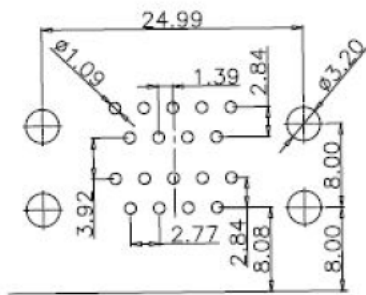



NOTE:  
 1. MATERIALS AND FINISHED  
 INSULATOR : LCP OR PBT+30% GF UL 94V-0,  
 SHELL : STEEL, NI FINISHED  
 CONTACT MATERIAL: BRASS, SELEVITE GOLD FINISHED  
 HARPOON: BRASS, SN FINISHED  
 RIVET: COPPER ALLOY, NI FINISHED  
 WITH #4-40 THREADED ASSEMBLED  
 2. ELECTRICAL CHARACTERISTICS  
 CURRENT RATING : 1.0 AMP DC  
 VOLTAGE RATING: 300 V DC  
 CONTACT RESISTANCE : 20 MILLIOHMS MAX.  
 DIELECTRIC WITHSTANDING VOLTAGE : 1000 V AC MIN.  
 INSULATION RESISTANCE : 5000 MEGAOHMS MIN.  
 3. ENVIRONMENTAL  
 OPERATING TEMPERATURE: -55°C ~ +85°C  
 STORAGE TEMPERATURE: -55°C ~ +105°C



DIM A	DIM B
15.88	28.43
19.05	31.60



RECOMMENDED PCB LAYOUT THICKNESS=1.6mm  
 TOLERANCE: ±0.05

TOLERANCE		
SCALE	UNIT mm	
DRAW Walter	DATE 7.11.2022	TITLE <b>SM C05 0592 2x09 F</b>
CHECK Vanda	REV	DESCRIPTION <b>2x D-SUB PCB Female</b>
