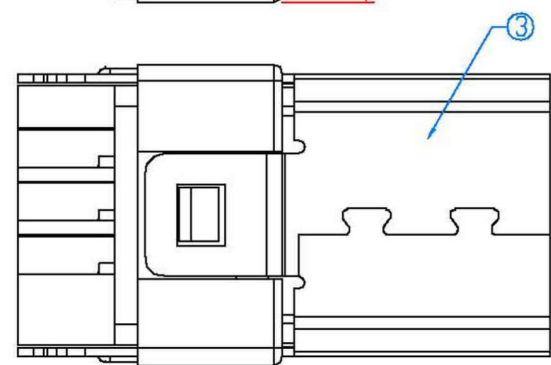
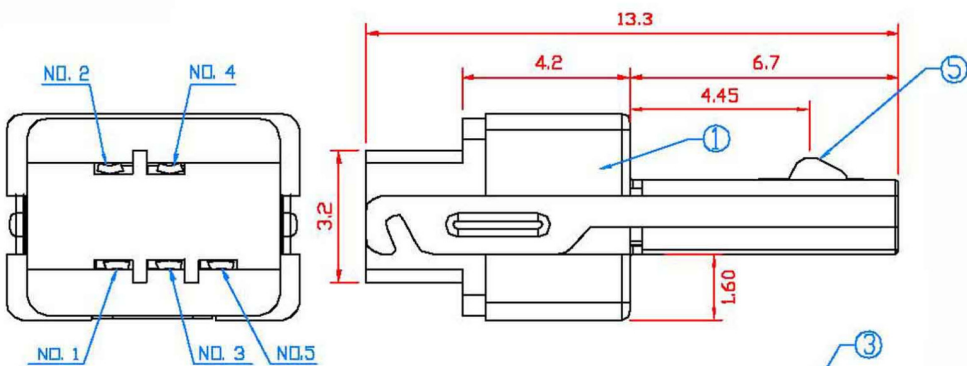
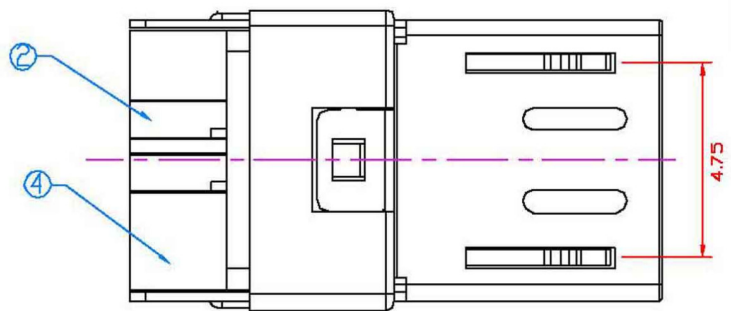


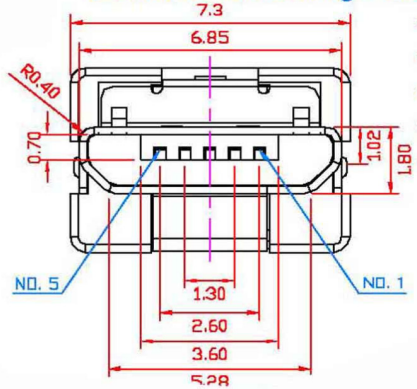
1 2 3 4 5 6 7 8

A
B
C
D
E
F
G
H



Specification:

- *Contact Resistance:
 - (1)30m Ohm Max. at 100mA
 - (2)10,000 Cycles After: 40m Ohm Max.at 100mA
- *Rated Voltage: AC 30V
- *Contact Current Rating:
 - (1)Signal Line: 1A/Pin (No. 1 to 5)
 - (2)2-Line For Power: 1.8A/Pin(No. 1 and 5),0.5A/Pin(No. 2 to 4)
- *Insulation Resistance: 100M Ohm Min. At 500V DC
- *Dielectric Withstanding Voltage: 100V AC for 1 Minute
- *Durability (Life Test): 10,000 Cycles
- *Insertion Force: 35 Newton Maximum
- *Extraction Force: 8 Newton Minimum
- *Operating Temperature: -30 ° to +80 °C
- *Solderability: 260 °C +/-5 °C;5 Sec



NO.	NAME	MATERIAL	FINISH	Q'TY	REMARK
1	HOUSING	LCP+GF30%	BLACK	1	
2	PIN TERM.	PBS T:0.20	GOLD/TIN PLATED	5	Ni:80~120u"; Gold:30u" Tin:120~200u"
3	SHELL	STAINLESS T:0.20	NICKEL PLATED	1	Ni:80~120u"
4	COVER	LCP+GF30%	BLACK	1	
5	SPRING	STAINLESS T:0.40		1	

RoHS
Compliant

SCHMID-M

APPD. BETTY	 TOLERANCE X. ±0.38 XX ±0.25 XXX ±0.13 XXXX ±0.05	PART NAME Micro USB B Type 5P MALE SOLDER TYPE SELECTIVE GOLD 30U" PLATING NICKEL SHELL BLACK INSULATOR HOSUING MATERIAL:LCP ROHS
DWG. BETTY		
DATE 2011/06/15	UNIT M M PAGE 1 OF 1	PART NO. SM C04 8350 5 B

1 2 3 4 5 6 7 8