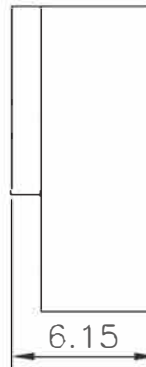
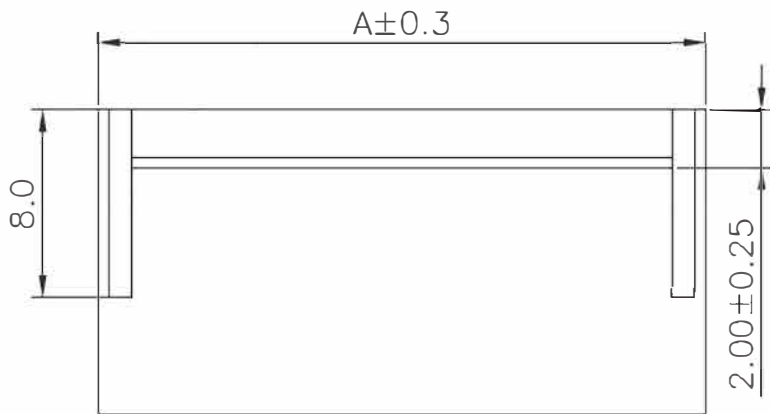
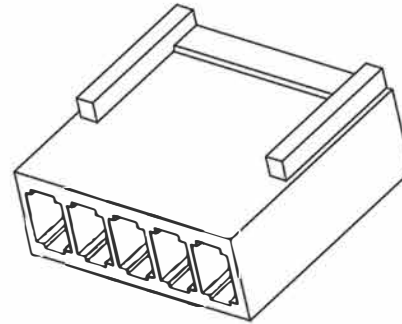
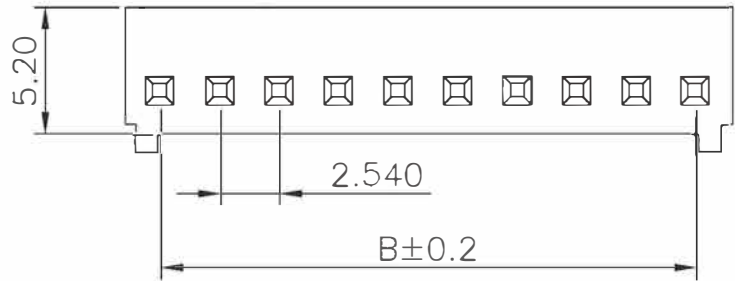


◆SPECIFICATIONS

- Current rating: 4A AC, DC
- Voltage rating: 250V AC,DC
- Temperature range: -25°C ~ +85°C
- Insulation resistance: 1000MΩ Min.
- Withstanding voltage: 1000V AC/ minute.
- Contact resistance: 10mΩ Max.

Material :Nylon66 UL94V-0

Part No.	Dimensions	
	A	B
02 P	5.63	2.54
03 P	8.17	5.08
04 P	10.71	7.62
05 P	13.25	10.16
06 P	15.79	12.70
07 P	18.33	15.24
08 P	20.87	17.78
09 P	23.41	20.32
10 P	25.95	22.86
11 P	28.49	25.40
12 P	31.03	27.94
13 P	33.57	30.48
14 P	36.11	33.02
15 P	38.65	35.56



F	④			GENERAL TOLERANCE	UNIT: mm	DATE	TITLE:						
	③			.X ±0.30 X° ±1°	DRAWN:		SM C03 2510 XX YH						
	②			.XX ±0.20 .X° ±	CHECKED:		VER.	SCALE:	N/A			PROJ	PART NO.
	①			.XXX ±0.10 .XX° ±	APPROVED:		A	SHEET:	1/1			DRAWING NO.	
	LTR	NAME	DATE	VERISION RECORD									
	1	2	3	4	5	6	7	8	9				