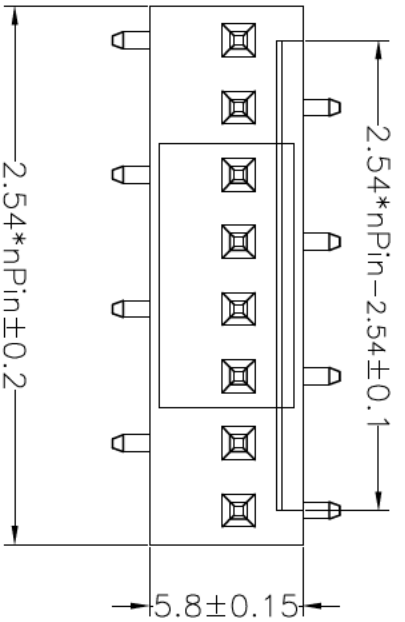


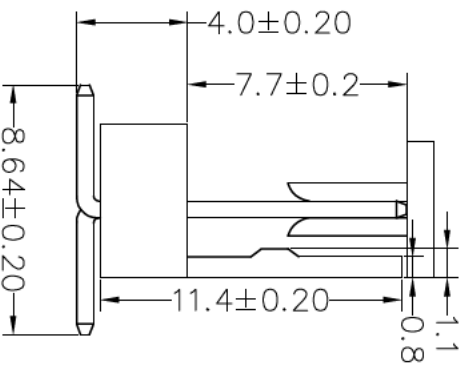
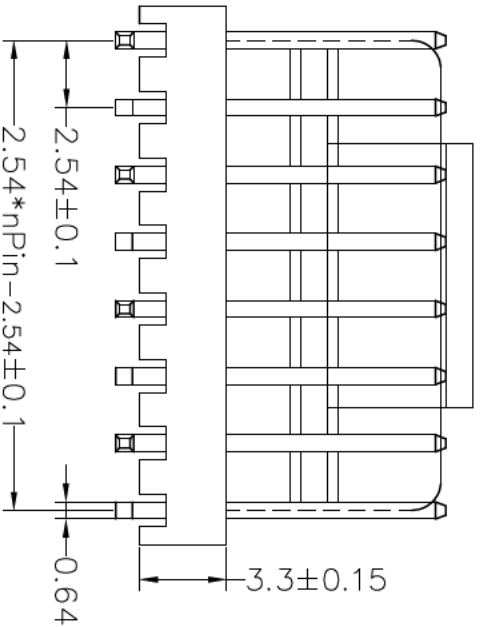
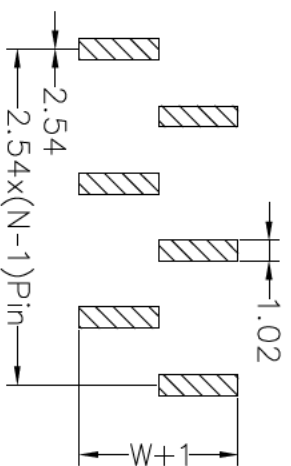
# HSE ROHS

## SPECIFICATIONS

Rated Current:3.0AMP  
 Contact Resistance:20mΩ Max  
 Withstand Voltage:1000V AC/DC  
 Insulation Resistance:1000MΩ Min  
 Operation Temperature:-40°C to +105°C  
 Contact Material:Brass  
 Contact Plating:Au Over Ni  
 Insulator Material:Polyester(UL94V-0)  
 Standard: PA66



Recommended P.C.B Layout(Top Side)  
 (PCB BOARD TOLERANCE±0.05)



REV	DATE	MODIFICATION DESCRIPTION	CHANGE	OPERATION	DRAW	SCALE	FIT	PART NO.	TITLE:
A0	2018.06.09	NEW DRAWING		X.XX ±0.30 X.XX ±0.20 X.XXX ±0.10 Angle ±3°	CHECK APPROVE	UNIT mm SIZE A4 SHEET 1/1	PROJ.	SM C03 9025 XX W SMT	2.54 Water M-Type Npin SMT
1					18.06.09				

