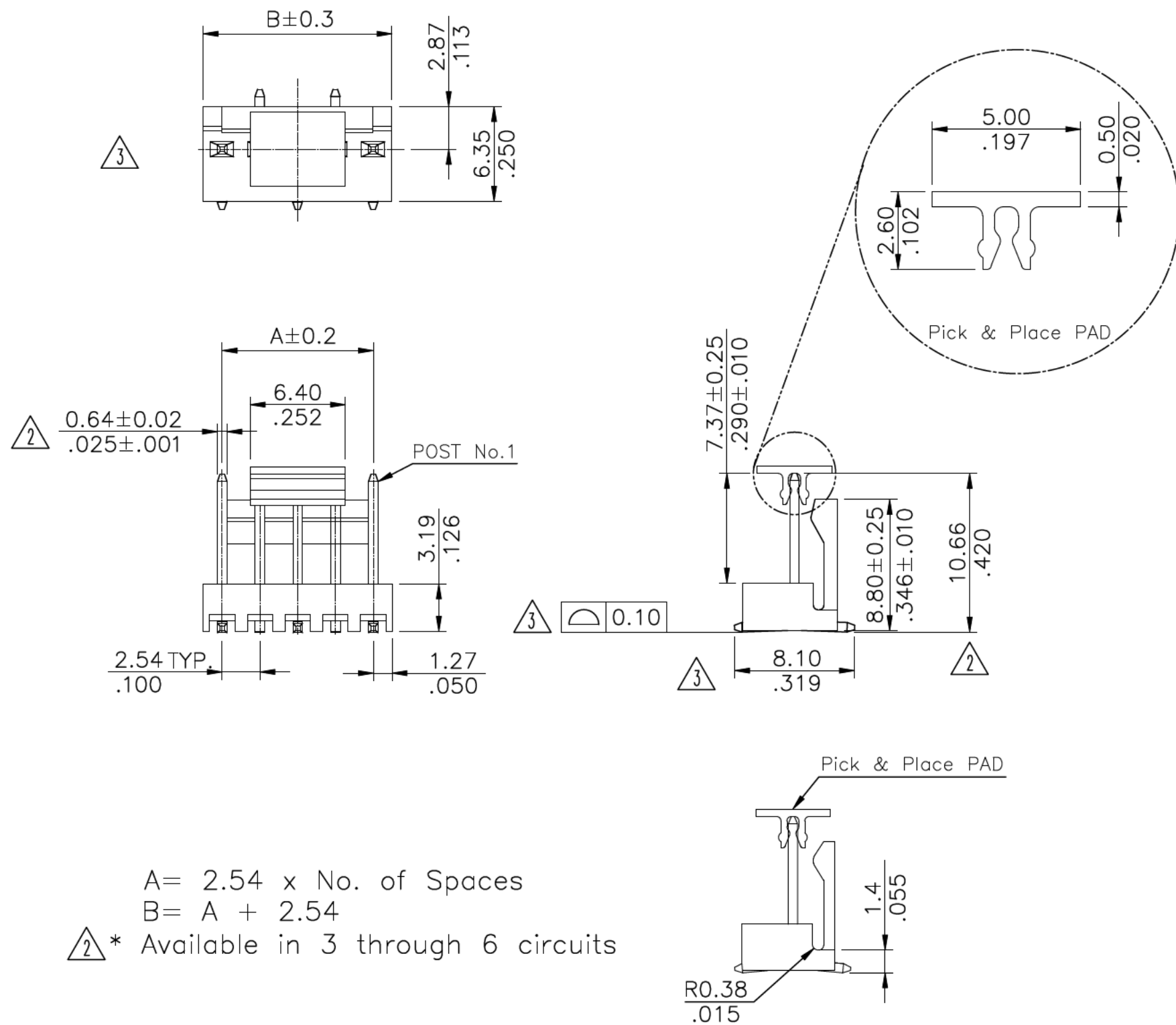


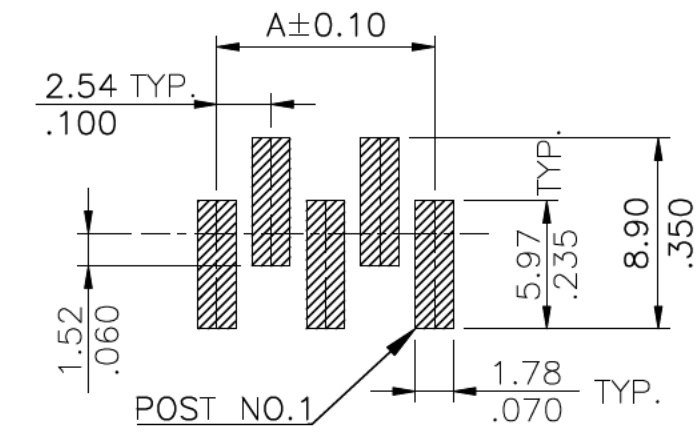
Note:

1. Material:

- * Insulation: LCP UL 94V-0, Color Black
- * Contact: Brass with Matte Tin Plated




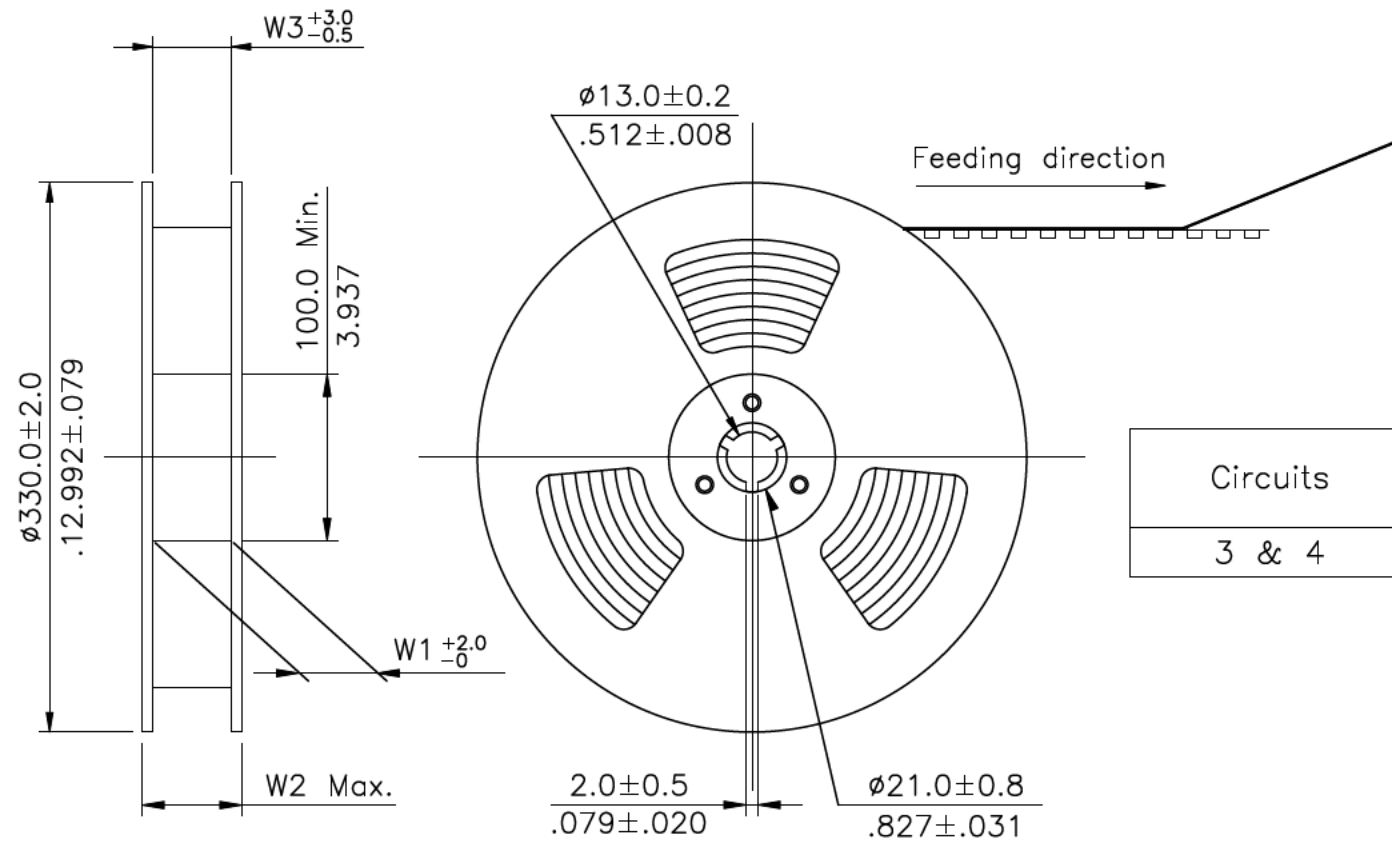
A = 2.54 x No. of Spaces
 B = A + 2.54
 * Available in 3 through 6 circuits



Recommended P.C. Board Layout

Halogen-Free Lead Free Process RoHS Compliant

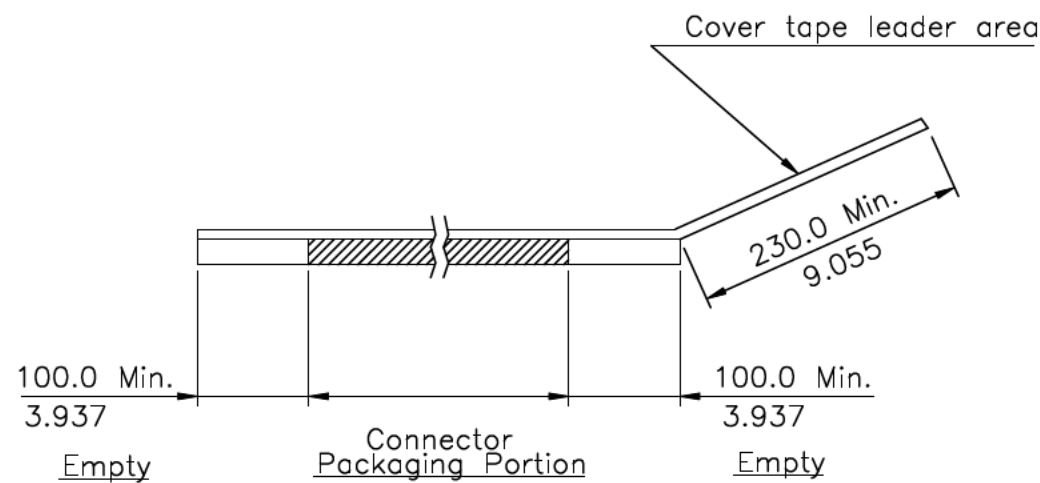
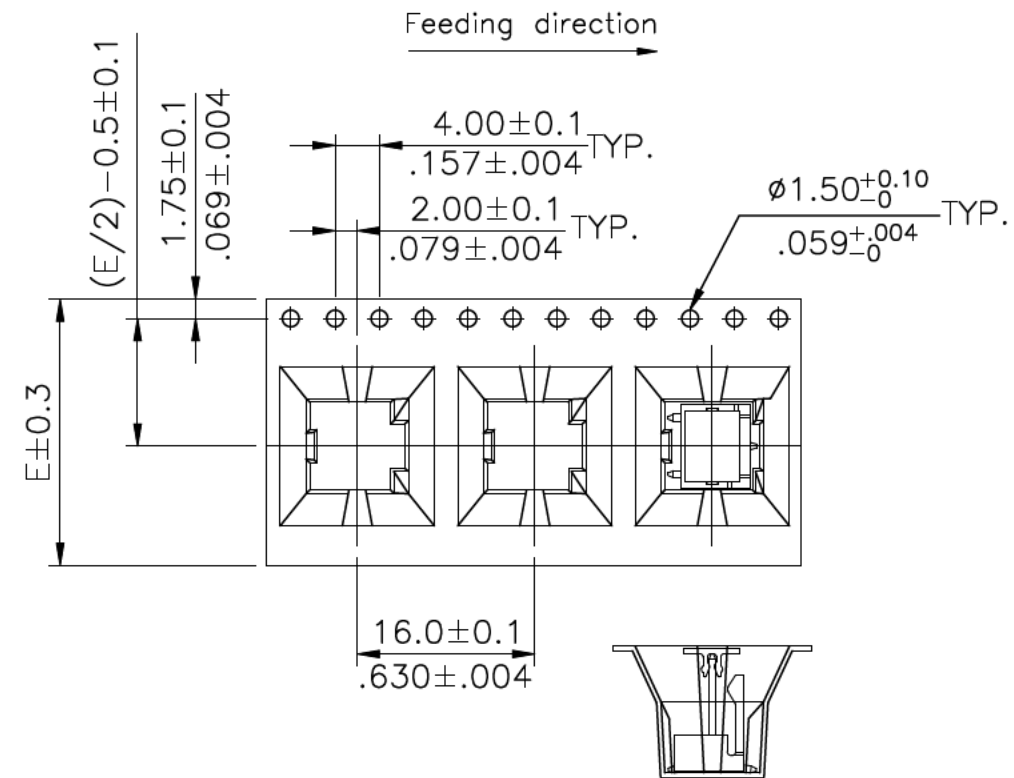
4					DATE	UNIT: mm / inch	TITLE: 2.54MM(.100")	
3	Jessie	5/24-23'	ECRD123031/ECNT123114	DRAWN BY: Jessie	5/24-23'	TOLERANCE UNLESS OTHERWISE SPECIFIED	CRIMP STYLE CONN.	
2	Karen	01/04-21'	ECNT121003/ECRT120092	ENGINEER: Sun	5/24-23'	.X ± 0.30/.012 .X' ± 1"	MATERIAL:	
1	Karen	11/19-19'	ECNT119321/ECRS119005	CHECKED BY: Eisley	5/24-23'	.XX ± 0.20/.008 .X' ±	FINISH:	
SYM	NAME	DATE	REVISIONS	APPROVED BY: Eisley	5/24-23'	.XXX ± 0.10/.004 .XX' ±	DRAWING NO. SM C03 8025 XX W SMT	SCALE 4 / 1 SHEET 1 OF 2



NOTES:

1. 10 sprocket hole pitch cumulative tolerance ± 0.20 .
2. Carrier camber is within 1 mm in 250 mm.
3. Material : PS
4. Thickness : 0.50 ± 0.05 mm.
5. Packing : 300 pcs/Reel

Circuits	Dimension					Packing (Reel/Carton)
	E	F	W1	W2	W3	
3 & 4	24.0(.945)	-	24.5(.965)	30.5(1.201)	24.5(.965)	11



WIDTH : 24 mm Carrier

RoHS Compliant

SCHMID-M

SYM	NAME	DATE	REVISIONS	APPROVED BY:	Eisley	5/24-23'	UNIT: mm / inch	TITLE: 0.50mm(.031") ZIF FFC/FPC DOWNSIDE CONTACT SLIM SURFACE MOUNT CONNECTOR	DRAWING NO.	SM C03 8025 XX W SMT
4										
3	Jessie	5/08-23'	ECRD123031/ECNT123114	DRAWN BY:	Jessie	5/24-23'	TOLERANCE UNLESS OTHERWISE SPECIFIED .X ± X' ± 1' .XX ± .X' ± .XXX ± .XX' ±	MATERIAL: FINISH:		
2	Karen	01/04-21'	ECNT121003/ECRT120092	ENGINEER:	Sun	5/24-23'				
1	Karen	11/19-19'	ECNT119321/ECRS119005	CHECKED BY:	Eisley	5/24-23'				
									SCALE	SHEET 2 OF 2