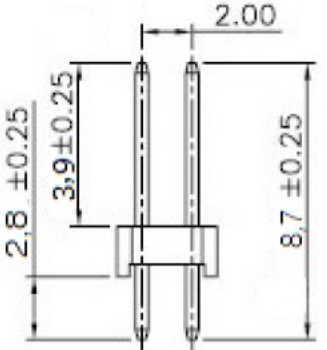
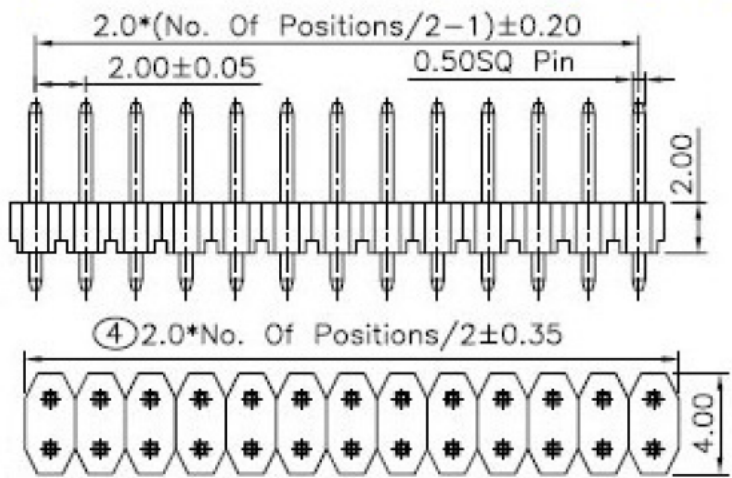



SPECIFICATION

Current Rating :2A
 Insulator Resistance :1000 MΩ min.
 Contact Resistance :20 mΩ Max.
 Dielectric Withstanding :AC 500V
 Operating Temperature :-40°C to +105°C
 Contact Material :Brass
 Insulator Matreial :Polyester, UL 94V-0
 Standard :NyLon-6T+30%G. F
 Contact Plated :Gold Flash All Over Nickel

[2.00mm Pin Header , 2 Row , Straight Type]



TOLERANCE		SCHMID-M	
SCALE	UNIT mm		
DRAW Walter	DATE 11.11.2018	TITLE SM C02 6100 XX BS C1	
CHECK Vanda	REV		
		DESCRIPTION Pin Header Straight Dual Rows Single Ins.RM2.00mm	