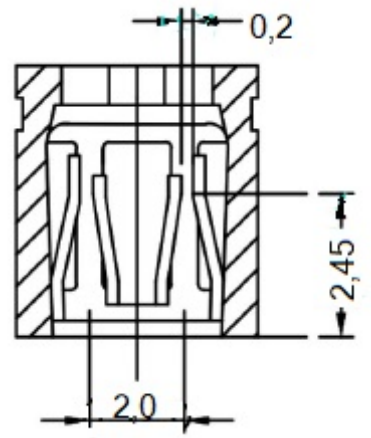


CIRCUIT	DIM "A"	DIM "B"
2	2 (0.079)	4 (0.157)
3	4 (0.157)	6 (0.236)
4	6 (0.236)	8 (0.315)
5	8 (0.315)	10 (0.393)
6	10 (0.393)	12 (0.472)
7	12 (0.472)	14 (0.551)
8	14 (0.551)	16 (0.630)
9	16 (0.630)	18 (0.709)
10	18 (0.709)	20 (0.787)
11	20 (0.787)	22 (0.866)

FEATURES
 Double tuning fork type contact guarantees high reliability.
 2.0MM pitch Low-Profile mini type Match to 0.50mm sq. posts.

MATERIAL
 .Insulator.....30% Glass Filled P.B.T.(UL 94v-0)
 .Contact.....Gold Plated
 .Terminal......5191 Phosphor Bronze

SPECIFICATIONS
 .Current Rating: 2 amperes MAX
 .Contact Resistance: 30m Ω MAX
 .Insulation Resistance: 1000 megohms MAX
 .Dielectric Withstanding Voltage: AC 550 volts RMS at sea level



TOLERANCE		SCHMID-M
SCALE	UNIT mm	
DRAW Walter	DATE 2.2.2018	TITLE
CHECK Vanda	REV	SM C02 2721 XX HZ
SCHMID-M		DESCRIPTION
		2.0mm MULTI JUMPER H:4.3mm PARALLEL TYPE BLACK COLOR ROHS