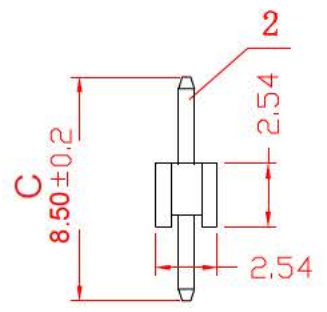
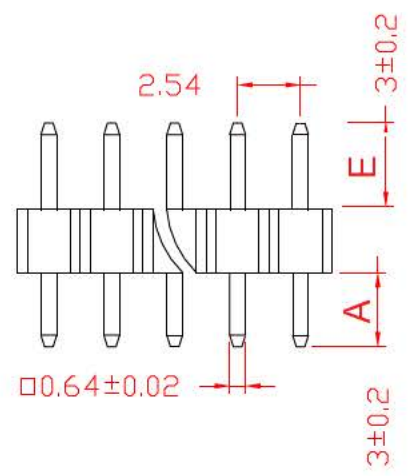
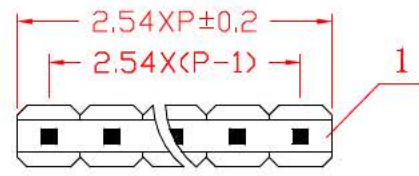




1 2 3 4 5 6 7 8

Specifications:
 Contact Resistance: 30mΩ max.at DG 100 mA
 Insulator Resistance: 1000MΩ min.at DC 500V
 Current Rating: 1AMP

Dielectric Withstanding
 Voltage: AC 500V For 1 minute
 Operating Temperature:-55°C--+105°C
 Contact: Brass
 Housing: PBT &30% Glass Fiber(UL 94V-0)



TOLERANCE		
SCALE	UNIT mm	
DRAW Valter	DATE 2.5.2017	TITLE SM C02 2100 XX AS A=3,0mm; E=3,0mm; C=8,5mm
CHECK Vanda	REV	DESCRIPTION Header Single Row and Insulator Straight
		

1 2 3 4 5 6 7 8