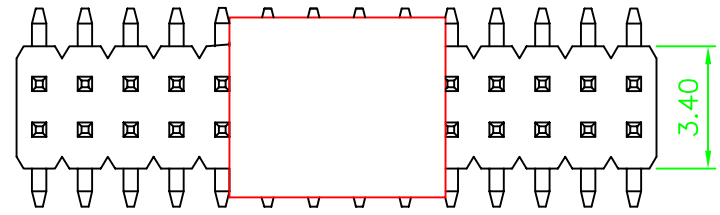
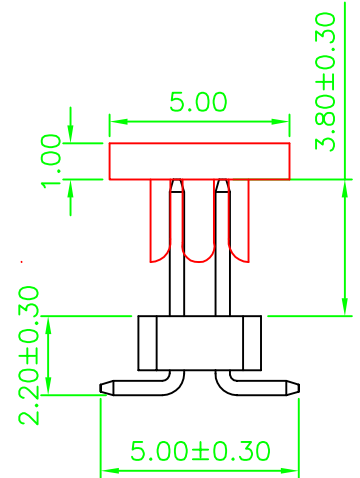
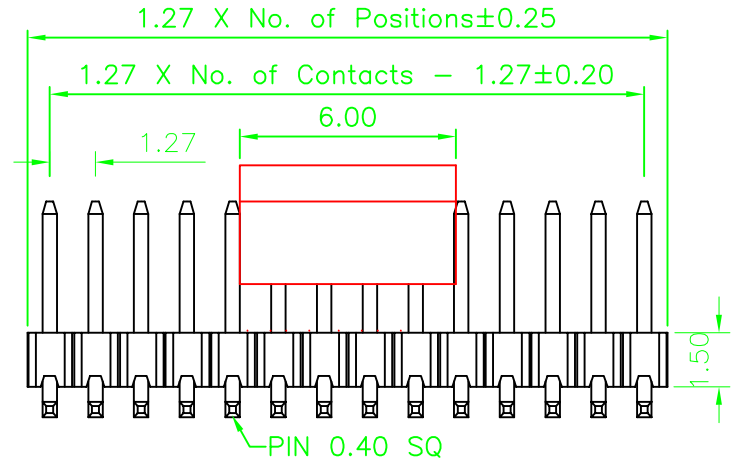


REV.	LOCAS.	DESCRIPTION	DATE	DRAWN
01				

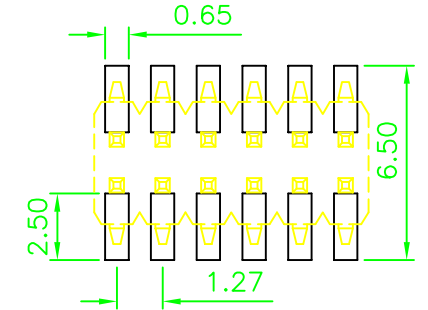


**Specifications**  
 Current Rating: 1Amp  
 Insulation Resistance: 1000MΩ Min.  
 Dielectric Withstanding: 300V AC  
 Contact Resistance: 20mΩ Max.  
 Operating Temperature: -40°C to +105°C

**Materials**  
 Contact Material: Brass  
 Insulation Material: Polyester, UL 94V-0  
 Nylon 6T  
 All materials must be ROHS materials



**RECOMMENDED P.C.B LAYOUT**



**Plating Code:** - Gold flash (standard)  
 B - Gold 10U"  
 C - Gold 15U"  
 D - Gold 30U"



GENERAL TOLERANCE	
X.° ± 5.0°	X. ± 0.30
.X° ± 3.0°	.X ± 0.25
.XX° ± 2.0°	.XX ± 0.15
.XXX° ± 1.0°	.XXX ± 0.10

DESIGN:	DATE:
CHECKED:	DATE:
AUDITED:	DATE:
APPROVED:	DATE:

DWG. NO.
PART NO.
SM C02 1271 XX BD; E=3,8mm

**TITLE:**  
 1.27 PIN HEADER  
 DUAL ROW SMT TYPE  
 BASE H1.5

REV.	UNIT.	SCALE.	PAGE.
01	mm	1:1	1/1