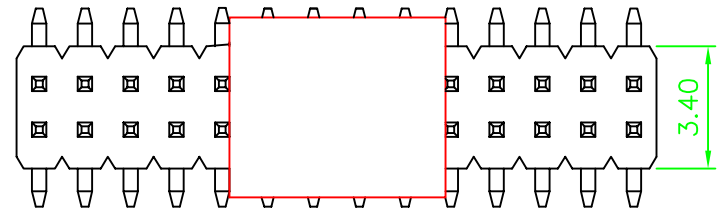
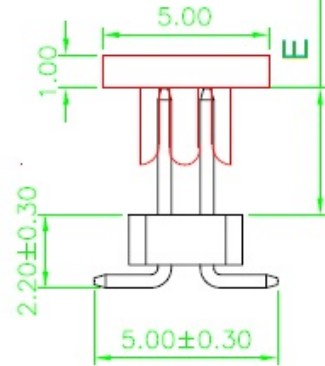
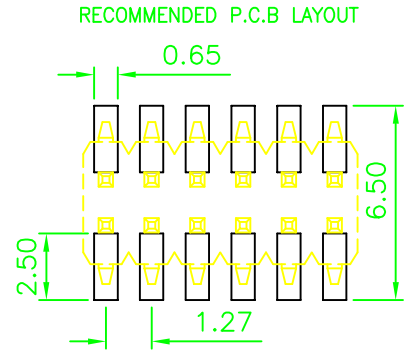
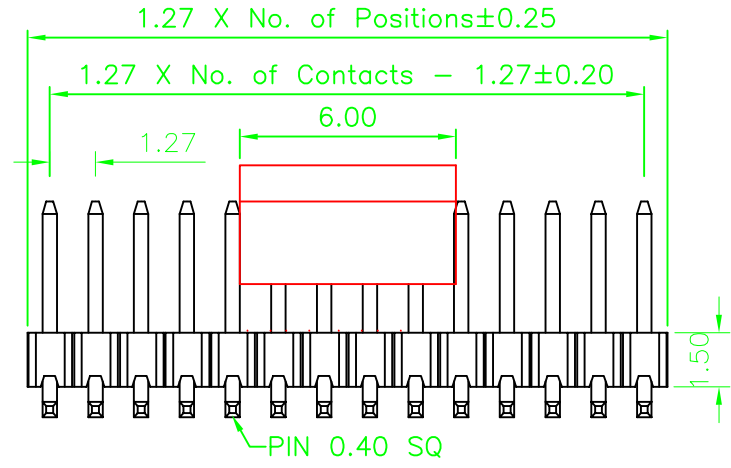


| REV. | LOCAS. | DESCRIPTION | DATE | DRAWN |
|------|--------|-------------|------|-------|
| 01 | | | | |



Specifications
 Current Rating: 1Amp
 Insulation Resistance: 1000MΩ Min.
 Dielectric Withstanding: 300V AC
 Contact Resistance: 20mΩ Max.
 Operating Temperature: -40°C to +105°C

Materials
 Contact Material: Brass
 Insulation Material: Polyester, UL 94V-0
 Nylon 6T
 All materials must be ROHS materials



Plating Code: - Gold flash (standard)
 B - Gold 10U"
 C - Gold 15U"
 D - Gold 30U"



| GENERAL TOLERANCE | |
|-------------------|-------------|
| X.* ± 5.0° | X. ± 0.30 |
| .X* ± 3.0° | .X ± 0.25 |
| .XX* ± 2.0° | .XX ± 0.15 |
| .XXX* ± 1.0° | .XXX ± 0.10 |

| | | |
|-----------|-------|----------------------------|
| DESIGN: | DATE: | DWG. NO. |
| CHECKED: | DATE: | |
| AUDITED: | DATE: | PART NO. |
| APPROVED: | DATE: | SM C02 1271 XX BD; E=Y,Ymm |

TITLE:
 1.27 PIN HEADER
 DUAL ROW SMT TYPE
 BASE H1.5

| REV. | UNIT. | SCALE. | PAGE. | Symbol |
|------|-------|--------|-------|--------|
| 01 | mm | 1:1 | 1/1 | ⊕ |