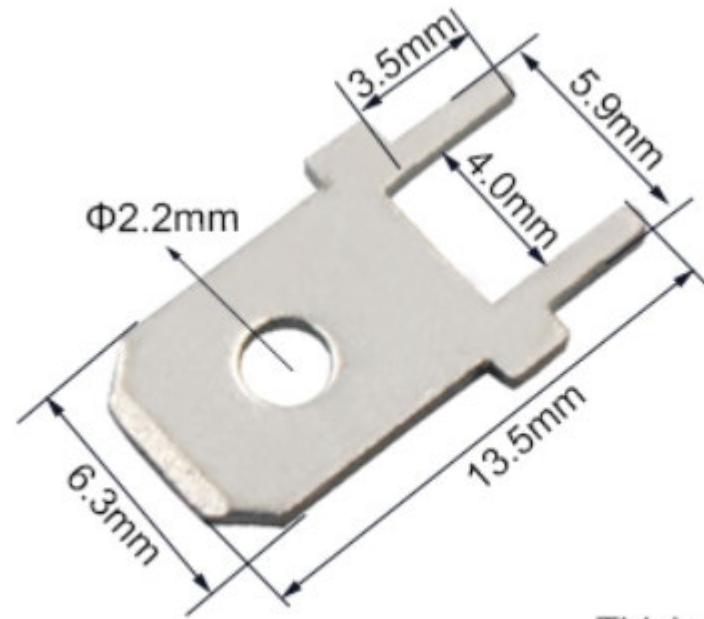


REV.	ECN.NO.	APPD.
A	/	LXQ



Thickness
(0.8mm)

TOLERANCE UNLESS OTHERWISE SPECIFIED						
.XX ±0.20	.X ±0.30	.XX' ±2'	Terminal Series - Brass - Tinned, material H62Y2			
APPROVED		PART NAME:	SM TE B092 63 S			
CHECKED						C
DRAWN		PROJECTION:	UNIT:	SCALE	SHEET	REV.
DATE	2014.08.12		mm	1:1	10F1	A