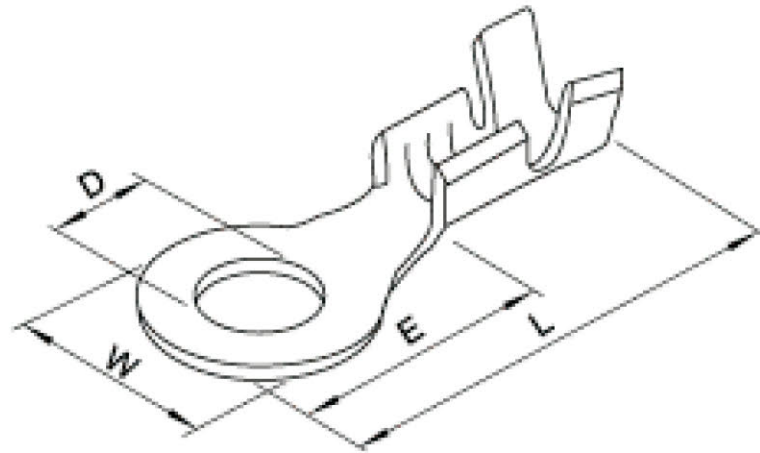


REV.	ECN.NO.	APPD.
A	/	LXQ



TOLERANCE UNLESS OTHERWISE SPECIFIED		Terminal Series - Brass - Tinned					
.XX ±0.20	.X ±0.30	.XX' ±Z'	Dimension (mm): W:12,0 / L:25,0 / D 8,2				
		Cross Section of Leads: 0,5-1,5mm ² / 22-16AWG					
APPROVED		PART NAME:	SM TE01 81821				
CHECKED						C	
DRAWN		PROJECTION:	UNIT:	SCALE	SHEET	REV.	
DATE	2014.08.12		mm	1:1	10F1	A	

F

E

D

C