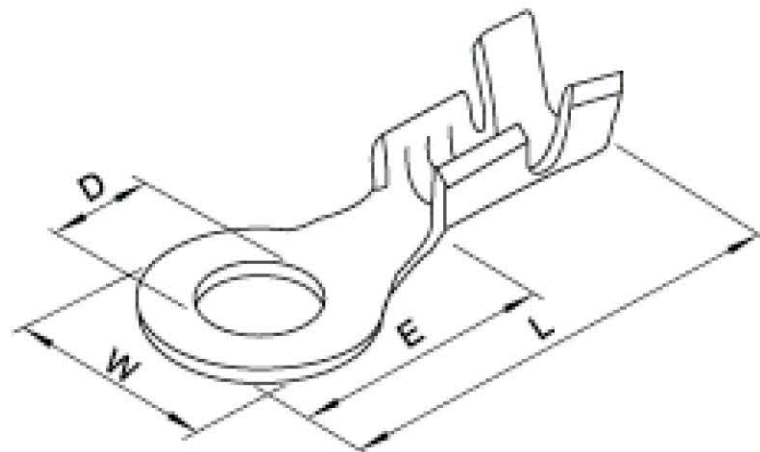


REV.	ECN.NO.	APPD.
A	/	LXQ



<b>TOLERANCE UNLESS OTHERWISE SPECIFIED</b>		Terminal Series - Brass - Tinned					
.XX	±0.20	.XX'	±Z'	Dimension (mm): W:8,0 / L:16,0 / D:5,2			
.X	±0.30			Cross Section of Leads: 0,5-1,5mm <sup>2</sup> / 22-16AWG			
APPROVED		PART NAME:	SM TE01 81526				
CHECKED							C
DRAWN		PROJECTION:	UNIT:	SCALE	SHEET	REV.	
DATE	2014.08.12		mm	1:1	10F1	A	

F  
E  
D  
C