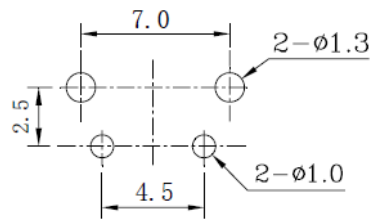
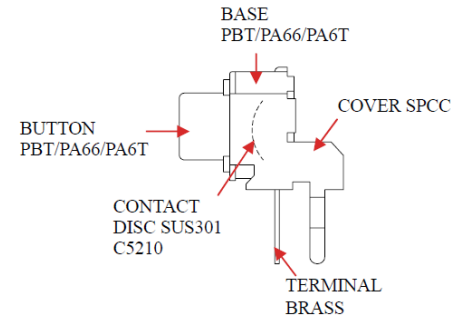
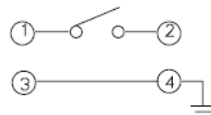


P. C. B. HOLE DETAIL

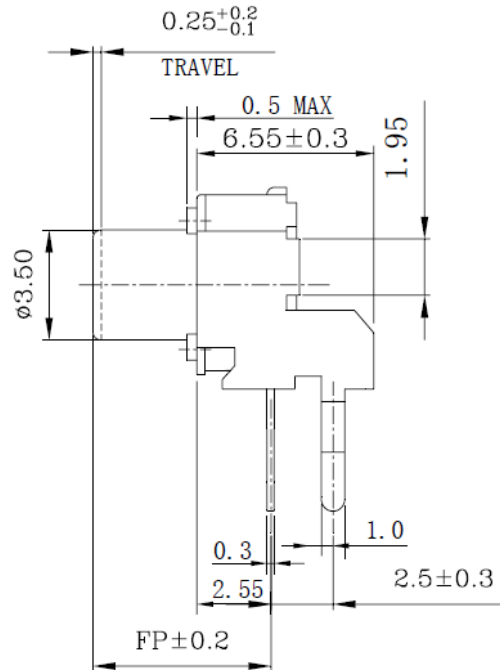
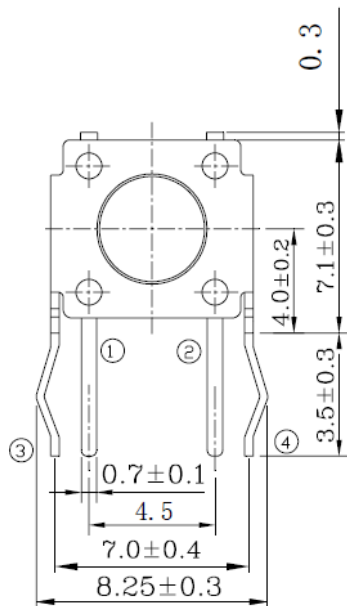


SCHEMATIC



- Part No:
 KSM631X H=3,15mm
 KSM632X H=3,85mm
 KSM633X H=5,85mm
 KSM634X H=6,75mm
 KSM635X H=10,85mm
 KSM636X H=11,85mm

- X=Operating Force
 =L=70gF
 =K=100gF
 =B=130gF
 =N=160gF
 =M=170gF
 =R=260gF



TOLERANCE		SCHMID-M
SCALE	UNIT mm	
DRAW Walter	DATE 3.6.2014	TITLE
CHECK	REV	SM KSM63YX
		DESCRIPTION
		TACT Switches THT Right Angle