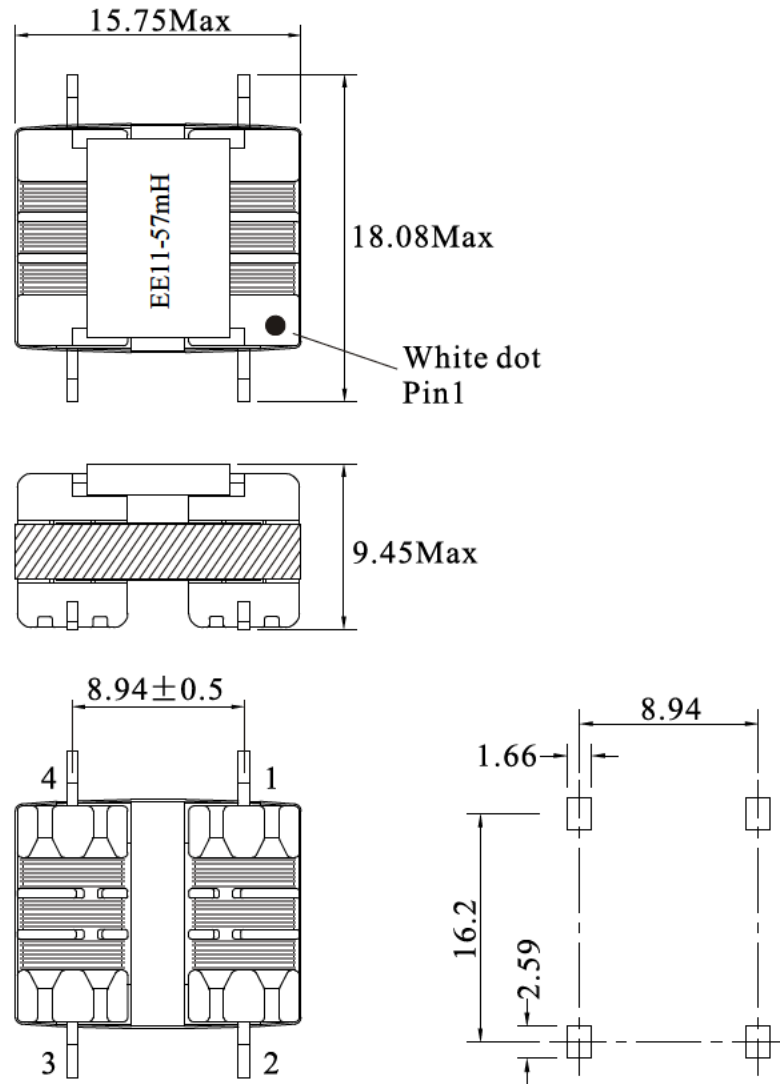
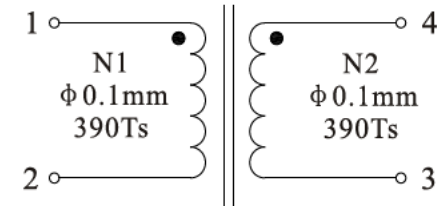


Rev.	Description	Date
A0	New release	2023.04.27

1. PHYSICAL CHARACTERISTICS (mm)



2. ELECTRONICAL SCHEMATIC



3. ELECTRONICAL SPECIFICATIONS

Turns ratio: 1:1 ± 2%

Inductance(1-2): 57mH Typ. (37mH Min) @ 10KHz, 0.1V

Isat(1-4): 150mA Max (tie(2+3) 20% rolloff from initial)

Irms: 160mA Max (Temp. rise 40°C Max)

RDC: 15.7Ω ± 10% each winding

LK(1-4): 6.5mH Min @ 100KHz, 0.1V, tie 2+3

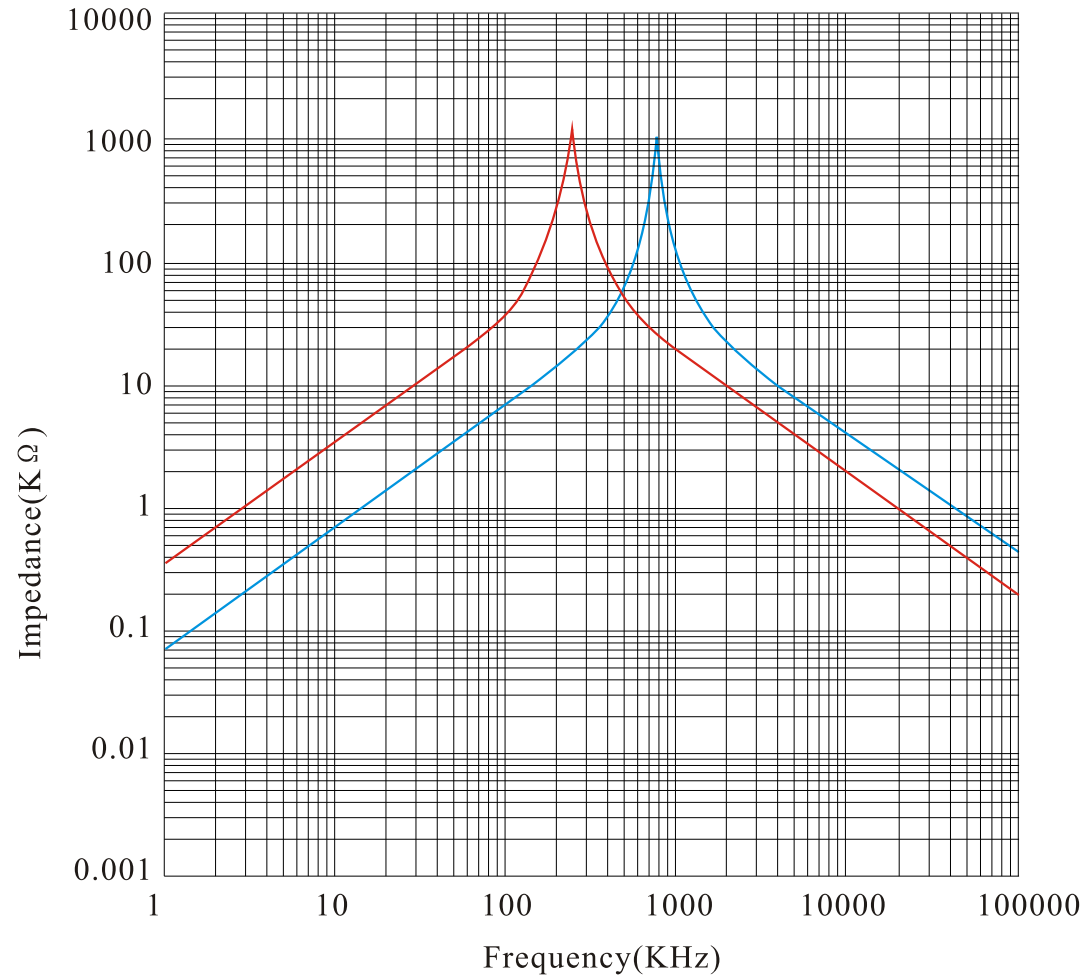
SRF: 280KHz typ.

Hi-Pot: 1500Vac, 50Hz, 1mA, 60S

Operating temperature: -40°C to +125°C (Including temp. rise)

NAME:	Common mode choke		
Schmid-M PN:	SM FILTER EE 11/6/3 57mH SMD	DATE:	2023-04-27
		REV: A0	PAGE
DRAWN BY	CHECKED BY	APPROVE BY	

Impedance vs Frequency



Common mode —
 Difference mode —

NAME:	Common mode choke		
Schmid-M PN:	SM FILTER EE 11/6/3 57mH SMD	DATE:	2023-04-27
		REV: A0	PAGE
DRAWN BY	CHECKED BY	APPROVE BY	

