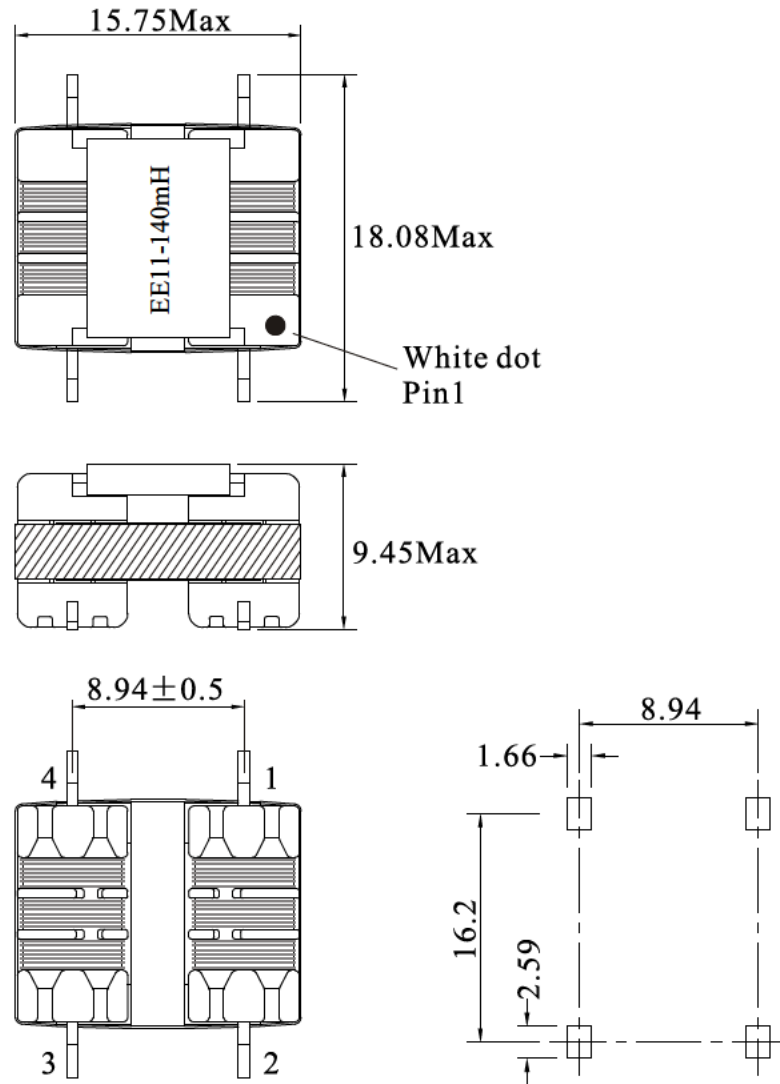
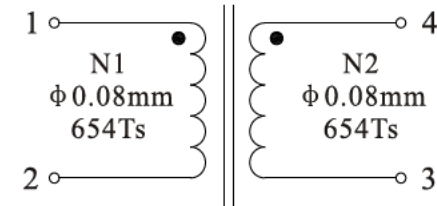


Rev.	Description	Date
A0	New release	2023.04.27

1. PHYSICAL CHARACTERISTICS (mm)



2. ELECTRICAL SCHEMATIC

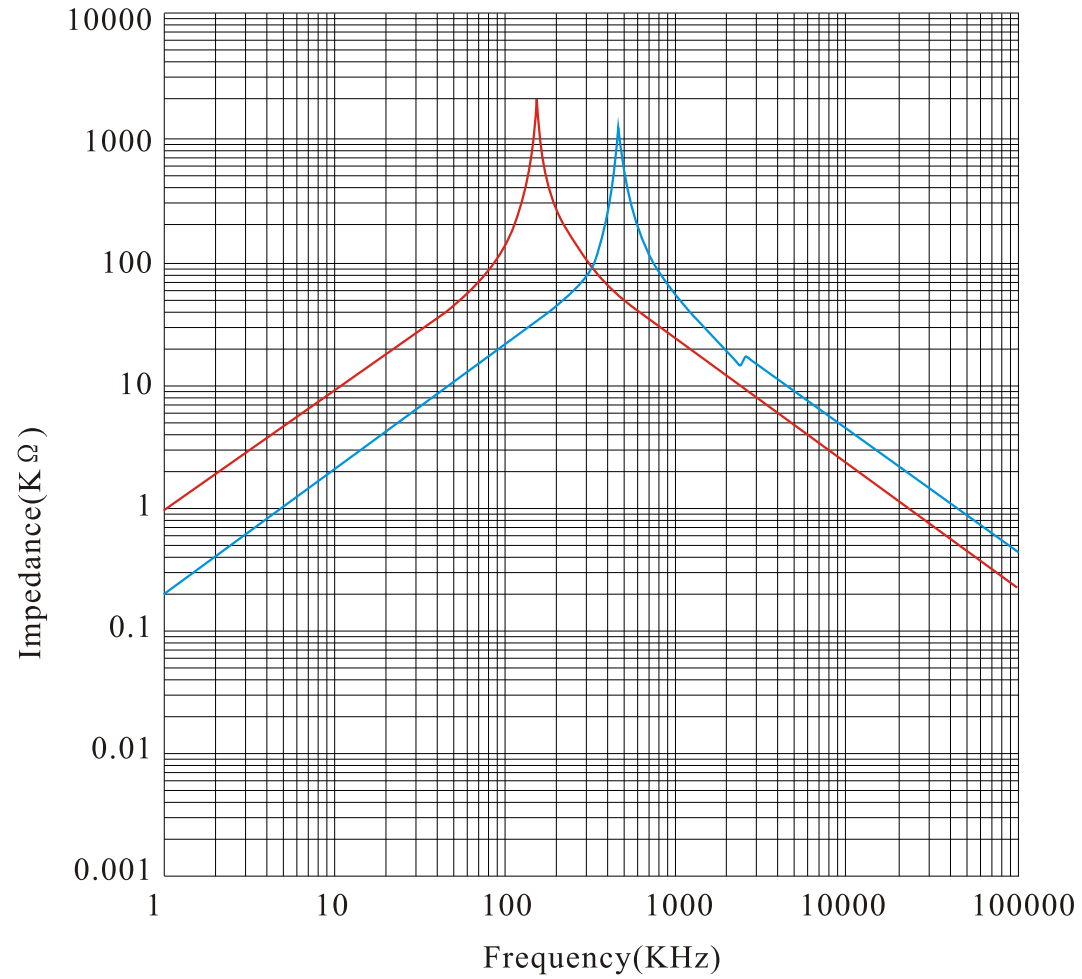


3. ELECTRICAL SPECIFICATIONS

- Turns ratio: 1:1 ± 2%
- Inductance(1-2): 140mH Typ. (91mH Min) @ 10KHz, 0.1V
- Isat(1-4): 100mA Max (tie(2+3) 20% rolloff from initial)
- Irms: 90mA Max (Temp. rise 40°C Max)
- RDC: 39Ω ± 10% each winding
- LK(1-4): 18.5mH Min @ 100KHz, 0.1V, tie 2+3
- SRF: 190KHz typ.
- Hi-Pot: 1500Vac, 50Hz, 1mA, 60S
- Operating temperature: -40°C to +125°C (Including temp. rise)

NAME:	Common mode choke		
Schmid-M PN:	SM FILTER EE 11/6/3 140mH SMD	DATE:	2023-04-27
		REV: A0	PAGE
DRAWN BY	CHECKED BY	APPROVE BY	

Impedance vs Frequency



Common mode —
 Difference mode —

NAME:	Common mode choke		
Schmid-M PN:	SM FILTER EE 11/6/3 140mH SMD	DATE:	2023-04-27
		REV: A0	PAGE
DRAWN BY	CHECKED BY	APPROVE BY	

