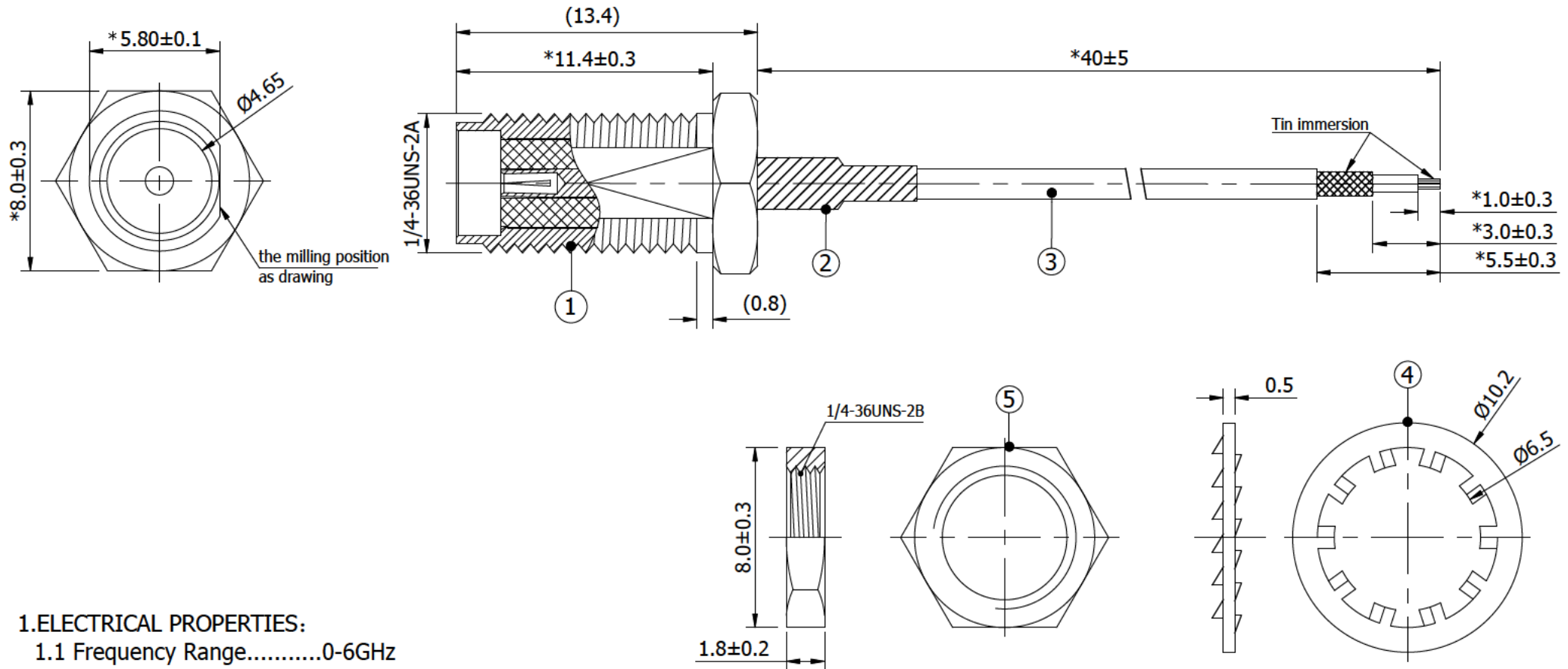


REV	DATE	DESCRIPTION
X1	03/13-2024	New Issue



1.ELECTRICAL PROPERTIES:

- 1.1 Frequency Range.....0-6GHz
- 1.2 Impedance.....50 Ohm Nominal
- 1.3 VSWR.....2.0(Max)

2.These Products are in conformity with ROHS 2.0

3.The connector and fittings complied with the 48-hour salt spray test;

4.Strict sizes are marked with "*" ,and "(") for reference

5	Nut	Brass,Gold Plated	1	
4	Washer	Brass,Gold Plated	1	
3	Coaxial cable	Ø1.37 Coaxial Cable;Black	1	
2	Tube	Heat Shrink Tube,Black	1	
1	Connector	SMA,Female,Standard,Gold Plated	1	
NO	DESCRIPTION		Q'TY	REMARK

XXX.	±3.0	APPROVED
XX.	±1.0	
X.	±0.5	CHECKED
.X	±0.3	
.XX	±0.2	DRAWING

PART NO:
SM CAB SMA-1221m-TGG+1,37Cable-
40mm+Strip end+Nut+Washer

PART NAME: RF Cable Assembly

REV	UNIT	FILE:
X1	m/m	SHEET: 1/1

SCHMID-M