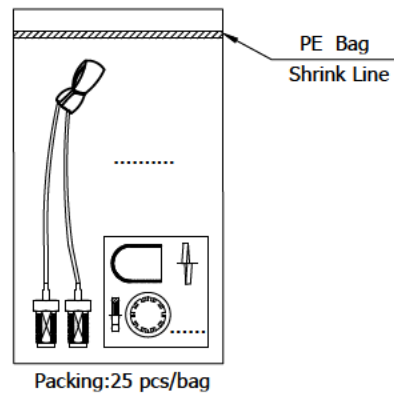
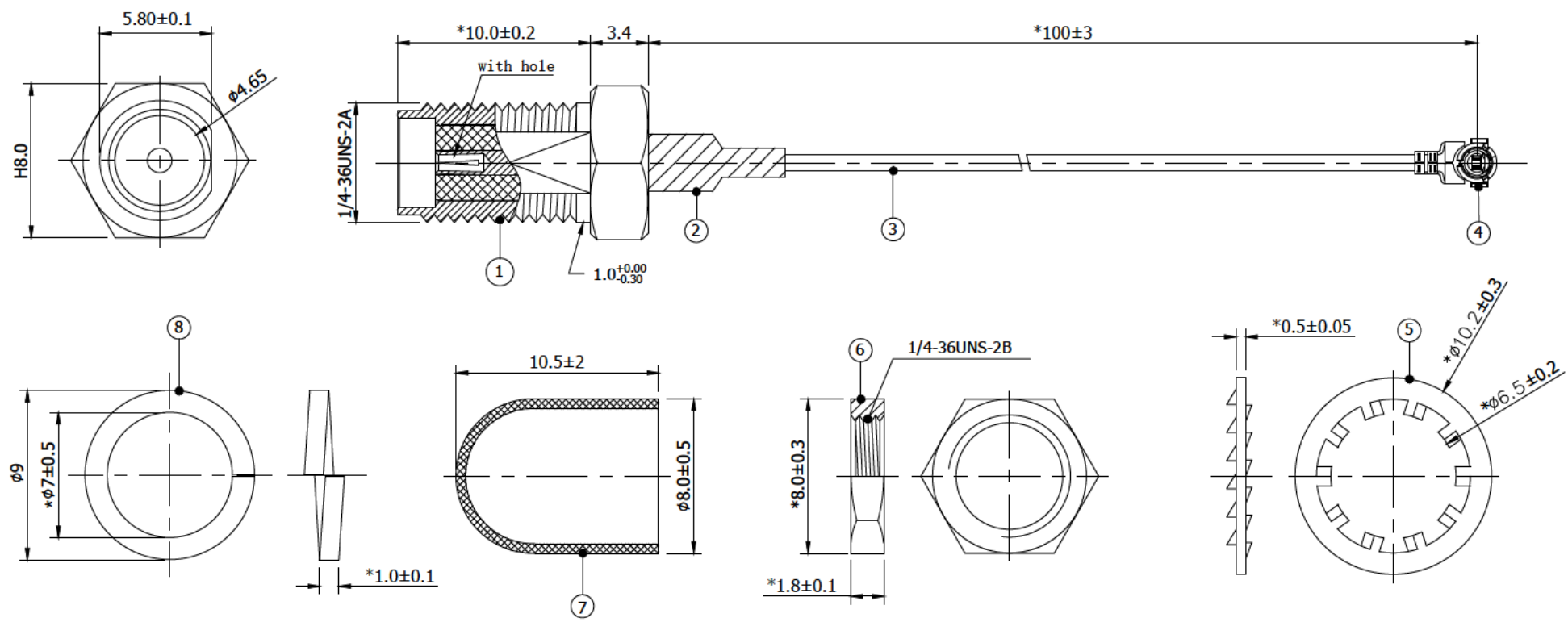


REV		DATE	DESCRIPTION
X1		11/19-2019	New Issue



- 1.ELECTRICAL PROPERTIES:
 1.1 Frequency Range.....0~3GHz
 1.2 Impedance.....50 Ohm Nominal
 1.3 VSWR.....1.5(Max)
 2.These Parts are in conformity with ROHS 2.0
 3.With"*"Is Important Dimension.

8	Spring washer		1	
7	Dust Cap	PVC.	1	
6	Nut	Brass;Gold Plated	1	
5	Washer	Brass;Gold Plated	1	
4	Connector	U.FL Plug	1	
3	Coaxial cable	φ1.13 Cable;Gray	1	
2	Tube	Heat Shrink Tube	1	
1	Connector	SMA Jack Standard;Gold Plated	1	
NO	DESCRIPTION		Q'TY	REMARK

CUSTOMER'S SINGATURE	XXX. ±3.0	APPROVED	CUSTOMER:		
	XX. ±1.0		PART NO:		
	X. ±0.5	CHECKED	PART NAME: RF Cable Assembly		
	.X ±0.2				
	.XX ±0.1	DRAWING	REV	UNIT	FILE:
			X1	m/m	SHEET: 1/1

SCHMID-M

SM CAB SMA-1221-TGG
 +1,13Cable-100mm+U.FL