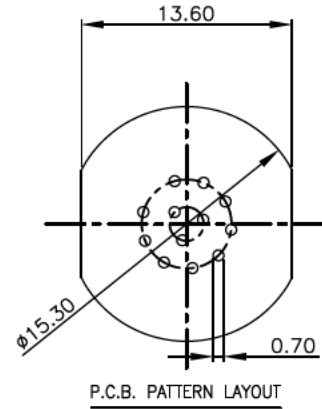
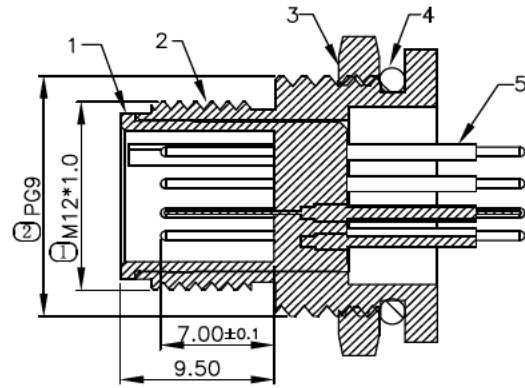


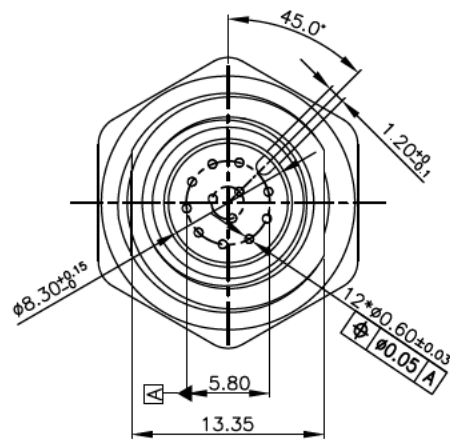
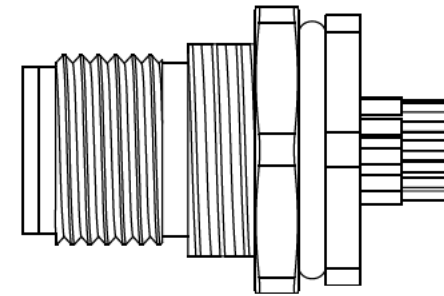
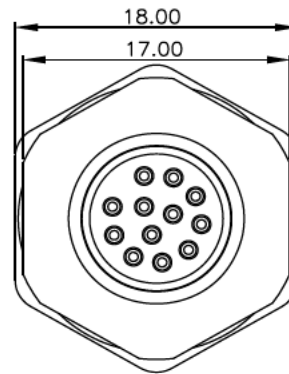
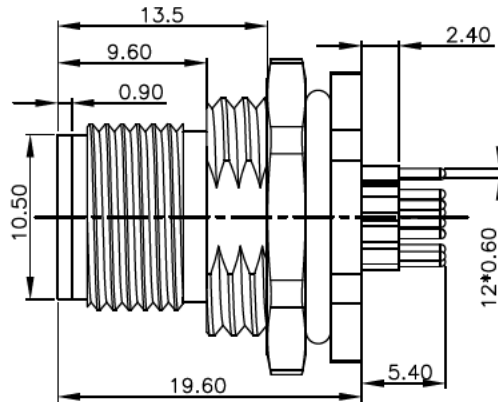
All material is RoHS

REV	LTR	ECN/DESCRIPTION	DATE	APPROVED
A	-	NEW RELEASE	2020.03.25	



Connector Specification.

1. Waterproof rate : IP67
2. Operating Temp. : -25°C - +85°C
3. Mating Life : >100 times
4. Insertion force : 23N Max
withdrawal force : 30N Max
5. Rated Voltage : 30V
6. Rated Current : 1.5A
7. Insulation resistance : $\geq 10^8 \Omega$, 500V DC
8. Contact Resistance : $\leq 5m\Omega$



No.	Name	Material
5	CONTACT PIN	H59, PLATED-Au
4	SEALING RING	NBR, BLACK
3	NUT PG9	H59, PLATED-Ni
2	OUTER CASING	H59, PLATED-Ni
1	INSULATOR	PA, BLACK, UL-94V-0

TOLERANCE	APPROVALS	DATE	PART No.			
X. ±0.20	DRAWN	2020.03.25	SM C10 PM12-RPBR12-S0-PG9			
X.X ±0.15	CHECKED	2020.03.25	TITLE M12 12P MALE, PANEL REAR MOUNT, PCB TYPE, A CODE, PG9			
X.XXX ±0.10	APPROVED	2020.03.25	UNIT mm SIZE A4			
ANGULAR ±1°	DWG TYPE	PROJECT CODE	SCALE	SHEET	DWG No.	REV.
UNLESS OTHERWISE SPECIFIED	CUST DWG	PHD	Free	1 OF 1		B