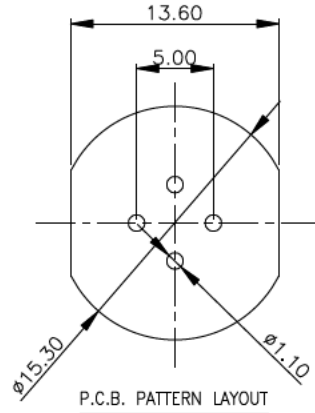
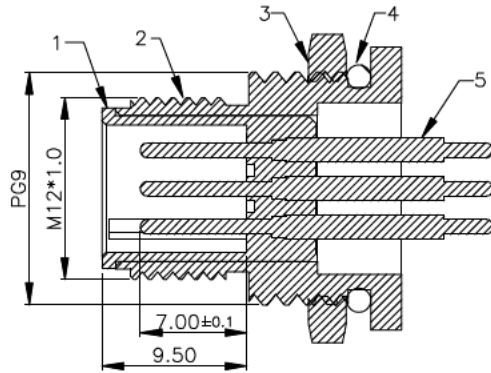
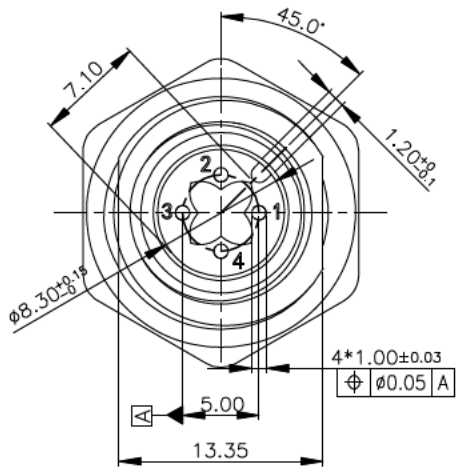
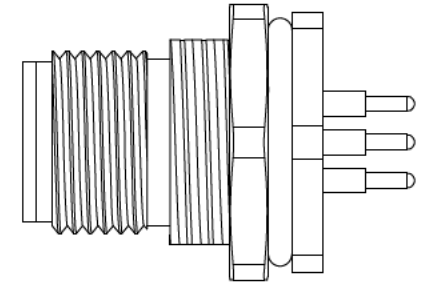
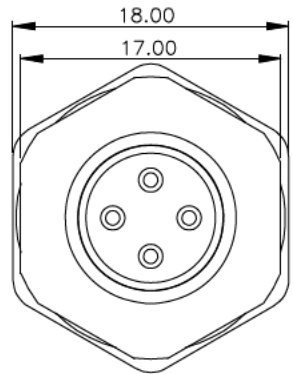
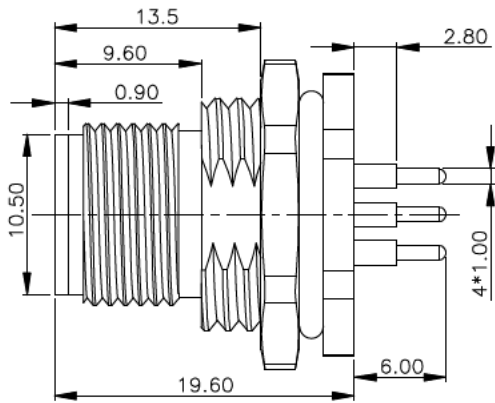


All material is RoHS

6		7		
REV	LTR	ECN/DESCRIPTION	DATE	APPROVED
A	-	NEW RELEASE	2019.03.25	Zhu.Liang



- Connector Specification.
1. Waterproof rate : IP67
 2. Operating Temp. : -25°C - +85°C
 3. Mating Life : >100 times
 4. Insertion force : 23N Max
withdrawal force : 30N Max
 5. Rated Voltage : 30V
 6. Rated Current : 1.5A
 7. Insulation resistance : $\geq 10^8 \Omega$, 500V DC
 8. Contact Resistance : $\leq 5m\Omega$



No.	Name	Part No.	Qty	Material
5	CONTACT PIN	M1CA03M12001	4	H59,PLATED-Au
4	SEALING RING	S3SB01M12001	1	NBR,BLACK
3	NUT PG9	M3CN01M12001	1	H59,PLATED-NI
2	OUTER CASING	M2CN01M12002	1	H59,PLATED-NI
1	INSULATOR	S1FB01M12013	1	PA,BLACK,UL-94V-0

TOLERANCE	APPROVALS	DATE	PART No.		
X. ±0.20	DRAWN Zhu.Liang		SM C10 PM12-RPBR04-S0-PG9		
X.X ±0.15	CHECKED		TITLE		
X.XX ±0.10	APPROVAL		M12 4pin male, panel rear mount, A code, PG9		
ANGULAR 1°	DWG TYPE CUST DWG	PROJECT CODE PHD	UNIT mm	SIZE A4	PART No.
UNLESS OTHERWISE SPECIFIED			SCALE Free	SHEET 1 OF 1	DWG No.
					REV. A