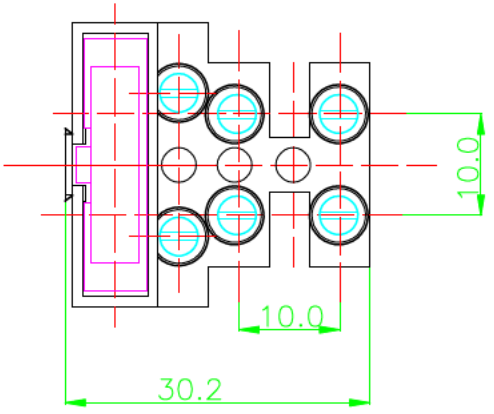
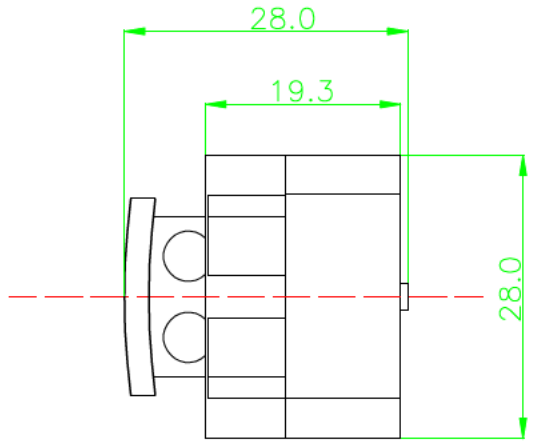
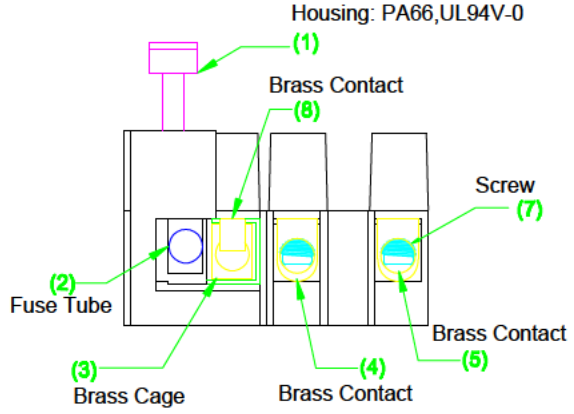


Rev.	DESCRIPTION	DRAWN	CHECKED	APPROVED
A	NEW RELEASE		~	



Electrical	
Rated voltage	300V
Rated current	6.3A
Wire range	0.5-2.50mm ²
Withstanding voltage	AC3000V/1Min
Mechanical	
Torque	0.8Nm(7.0Lb-In)
Ambient temperature	-40°C~+105 °C
Strip length	10-12mm
Dimensions	
Pitch	10.00mm(.295)
Poles	03P
Material	
Housing	PA66,UL94V-0
Screws	M2.5, Cr ³⁺ Zn plated
Contact	Copper,Ni plated
Cage	Brass ,Ni plated

Order Information:
 SM C09 71020 - XX - XX

Color
 1. Grey
 2. Blue
 3. Black
 4. Green

Poles
 03P

Series No.

GENERAL TOLERANCE		ANGEL TOLERANCE	
.X	+/-15	.X	+/-3
.X	+/-10	.X	+/-2
.XX	+/-5	.XX	+/-1

DRAWING TYPE		CUSTOMER	
SCALE	1 : 1	SHEET	1 OF 1
DRAWING NO.			

PROJECTION	TITLE
UNITS	Fuse Terminal Block
SHEET SIZE	SM C09 71020 03 1

