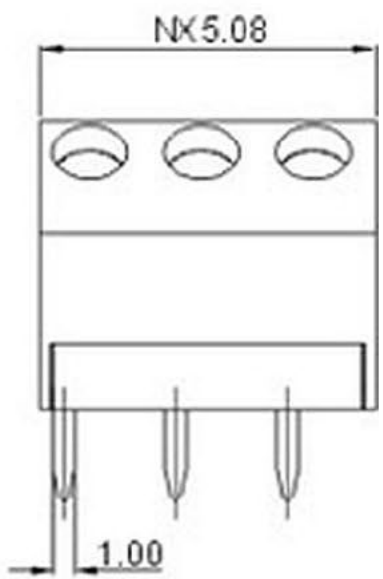
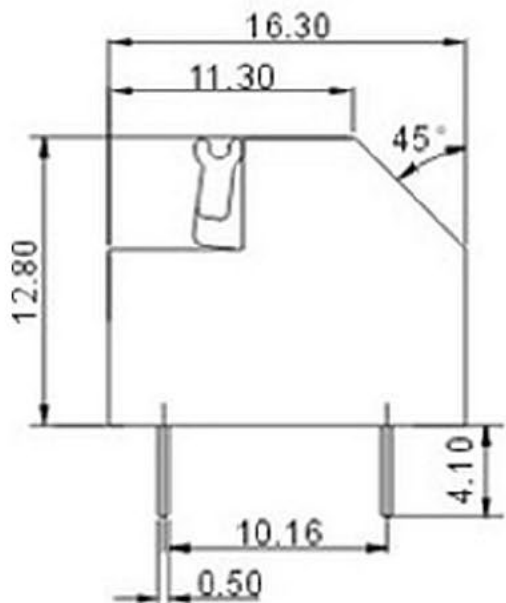
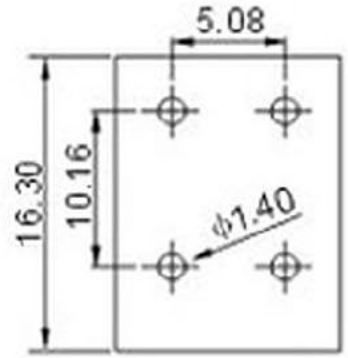
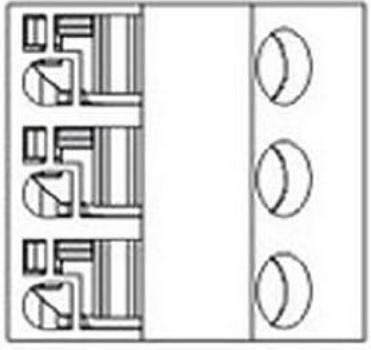


CUSTOMER COPY



REVISION DATA

SYM	ECN	DESCRIPTION	DATE	APPROVED



Standard	UL	IEC
Rated voltage	300V	250V
Rated current	10A	15A
Wire range	22-18AWG	0.2-1.5mm ²
Withstanding voltage	AC2000V/1Min	
Ambient temperature	-40°C~+105°C	
Strip length	10mm	
Pitch	5.08mm(.100")	
Poles	1P-XXP	
Housing	PA66+5%GF.,UL94V-0	
Pin header	Brass, Tin plated	
Wire guard	Stainless steel	

SCHMID-M

TOLERANCE:	PROJECTION		TITLE: Terminal Block RM5,0 Spring Style 45° XX: Number of Pins Y: Plastic Color 1-Grey, 2-Blue, 3-Black, 4-Green, 5-Orange, 6-Red, 8-White		
ANGLE ±2°	DATE	2011/11/05	CUSTOMER: N/A		
X.XXX ±0.01	DRAWN	Sullen	CUSTOMER P/N:	N/A	REV: N/A
X.XX ±0.25	CHECKED		PART NO.:	SM C09 35806 XX VCY	DRAWING NO.:
X.X ±0.35	APPROVED		SIZE:	A4	UNIT: mm
X. ±0.50			SCALE:	2.5:1	SHEET: 1/1