

1 2 3 4 5 6 7 8

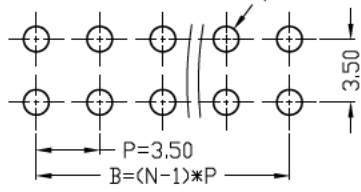
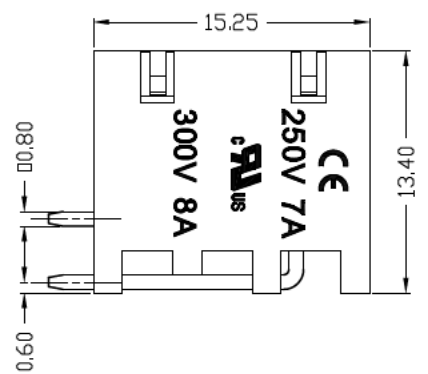
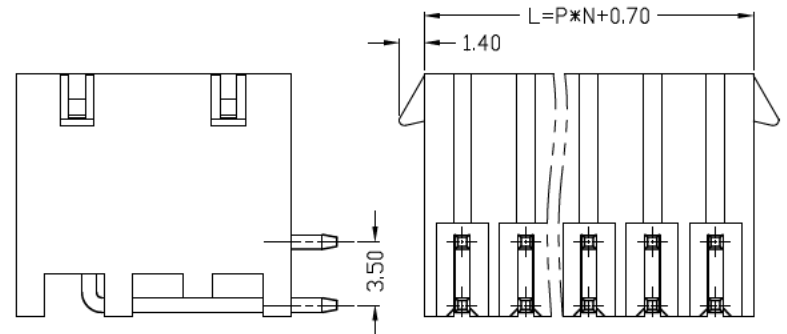
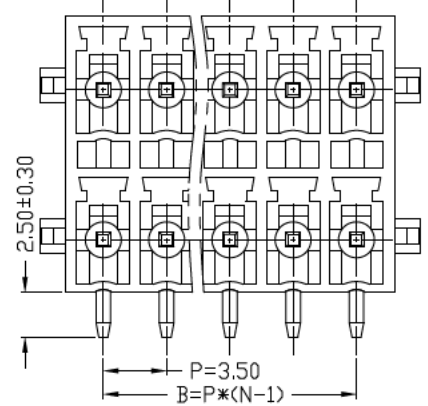
Vension	Rev. Content	Change Person

A

B

C

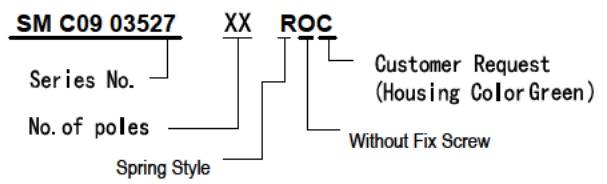
D



PCB LAYOUT

Technical Data				
UL	Use group	B	C	D
	Rated Electrical Parameters	300V/8A	/	300V/8A
IEC	Overvoltage Category	III/3	III/2	II/2
	Pollution Degree	/	/	250V/7A
Rated Electrical Parameters		/	/	250V/7A
Wire Range		/		
Frequency Voltage		AC 1600V		
Rated Surge Voltage		2500V		
Insulation Resistance		DC500V 500MΩ above		
Contact Resistance		≤20mΩ		
String Length		/		
Temperature		-40°C~+105°C		
Rated torque		/		
Material and plating				
Housing		PA66 (UL94 V-0)		
Contact		Copper alloy, Sn plated		
Nut		/		

Product Number Code :



P=3.5mm, N for hole digits, Significant Digits: 2*02P~2*24P

N	2*02P	2*03P	2*04P	2*05P	2*06P	2*07P	2*08P	2*09P	2*10P	2*11P	2*12P	2*13P
L	7.70	11.20	14.70	18.20	21.70	25.20	28.70	32.20	35.70	39.20	42.70	47.20
B	3.50	7.00	10.50	14.00	17.50	21.00	24.50	28.00	31.50	35.00	38.50	42.00
N	2*14P	2*15P	2*16P	2*17P	2*18P	2*19P	2*20P	2*21P	2*22P	2*23P	2*24P	
L	49.70	53.20	56.70	60.20	63.70	67.20	70.70	74.20	77.70	81.20	84.70	
B	45.50	49.00	52.50	56.00	59.50	63.00	66.50	70.00	73.50	77.00	80.50	

SCHMID-M

Type : SM C09 03527 XX ROC

Approval:

Drawing NO.:

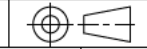
Audit:

Units :mm

Page : 1/1

Design:

Scale :FULL



Tolerance Range	
150~	±1.50
60~150	±1.00
30~60	±0.60
6~30	±0.40
0~6	±0.25
(Angle)	X ±2° XX ±1°

Version : TO

E

E

1 2 3 4 5 6 7 8