

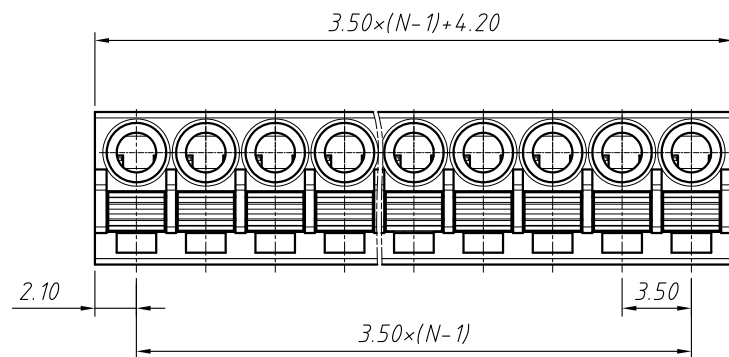
Material
 Housing: PA66, UL 94 V-0
 Shrapnel: Stainless steel
 Clamp: Phosphor bronze, Tin plated

Electrical
 Rated voltage: 300 V
 Rated current: 8 A
 Contact Resistance: 20 mΩ
 Withstand voltage: AC 2000V / 1 Min
 Insulation resistance: 500MΩ / DC 500V
 Wire Range: 24 ~ 16AWG 1.0mm²

Mechanical
 Temp. Range: -40 °C ~ +105 °C
 Strip length: 9-10mm

Order Information
 SM C09 03522a XX COC

No. of Pole _____



GENERAL TOLERANCE		ANGLE TOLERANCE		Description:
X. ±0.60		X. ±5°		Pluggable Terminal Block 3.5 MM
.X ±0.38		.X ±3°		
.XX ±0.25		.XX ±2°		
Draw by	2015-09-01	PROJECTION		P/N: SM C09 03522a XX COC
Check by	2015-09-15	UNITS	mm	SCHMID-M
SCALE		SHEET SIZE	A4	