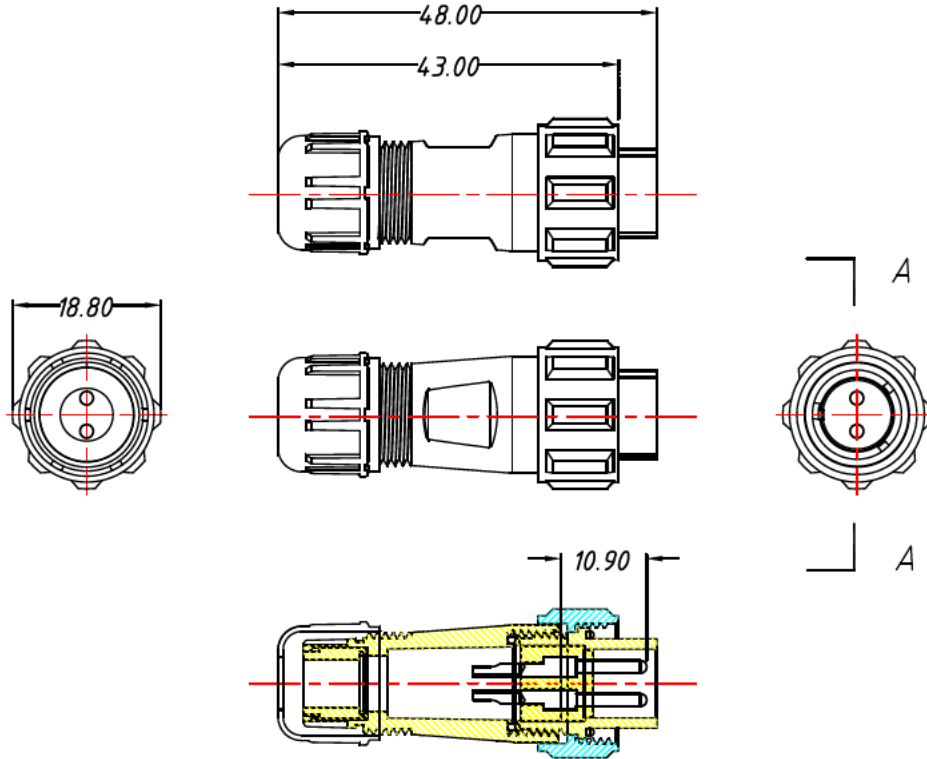


1 RoHS Compliance



SECTION A-A

Material & SPEC.

- 1. Shell Material: PPO, PA66 UL 94V-0
- 2. Insulation Materials: PPS, High Temperature 260°C
- 3. Contact: Brass, Gold-plated
- 4. Insulation resistance: 2000MΩ
- 5. Number of poles: 2~9 poles
- 6. Coupling: Threaded
- 7. Termination: Solder
- 8. Cable outer Diameter: Not- 4~6.5mm; G- 5~8mm
- 9. IP Rating: IP68
- 10. Durability: 500 mating cycles
- 11. Temperature Range: -25°C~+80°C

ORDER INFORMATION:

SM C08 1310 XX PM-Y

XX: Number of Poles
Y: Cable outer diameter

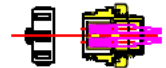
- 4: 4~6,5mm
- 5: 5~8mm

Solder contact arrangement and spec

Number of contact	2	3	4	5	6	7	9
Male contact face view							
Rated current (A)	13A	13A	5A	5A	5A	5A	3A
Contact diameter	∅1.6x2	∅1.6x3	∅1.0x4	∅1.0x5	∅1.0x6	∅1.0x7	∅0.7x9
Rated voltage(AC.V)	250V	250V	200V	180V	125V	125V	125V
Test voltage(AC.V) 1min	1500V	1500V	1500V	1000V	1000V	1000V	1000V
Contact resistance mΩ	2	2	5	5	5	5	10
Wire size solder mm ² /AWG	∅2/14	∅2/14	∅0.785/18	∅0.785/18	∅0.785/18	∅0.785/18	∅0.785/18

Match Connector

SM C08 1312
XX RF-Panel



SM C08 1311
XX RF-Y



GENERAL TOLERANCE		PROJECTION	Description:
X	±0.05	UNITS	mm
XX	±0.02	SHEET SIZE	
			IP68 13 CONN, Male Plug for cable, Solder
			P/N: SM C08 1310 XX PM-Y
Draw:	Daniel	2018-08-27	
Check:	Daniel	2018-08-27	
SCALE	1:1	SHEET	