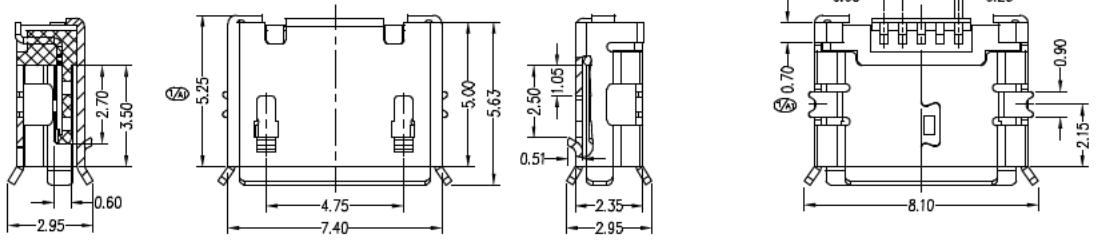
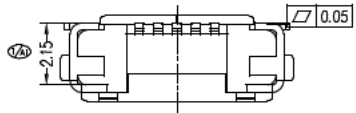
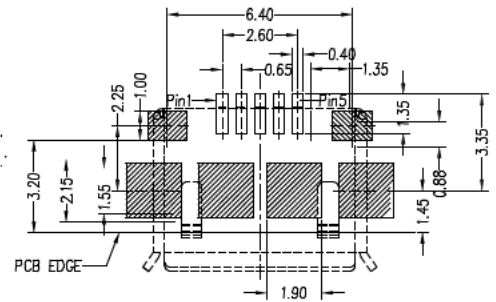
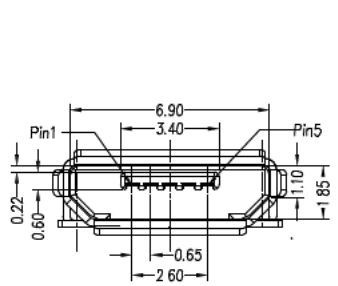


Mapx	Modification	Draw	Date	Approve
	---			



- Characteristics:
- 1) plastic part: LCP UL94V-0
  - 2) Contact: Cooper Alloy C2680R-H, Au plated 1u"
  - 3) Body: Cooper Alloy C2680R-H, Ni plated 100u"
  - 4) Current: 0,5A
  - 4) Contact Resistance 30mOhm max.
  - 5) Insulation resitance 100Mohm min. 250V DC
  - 6) Withstanding Voltage 250VAC
  - 7) Solderability: 235°C +5°C , for 5sec. +-0,5sec
  - 8) Insertion Force: 0,5kgf min.
  - 9) Life: 2000 mating cycles, min.
  - 10) Operational temperature: -30+85°C



RECOMMANDED PCB LAYOUT

**SCHMID-M**

Tolerance	Part Number	SM C04 8354 5B SMT		
. 0= ± 0. 25	Descr.	SMT Micro USB 5P Hor.		Draw.
. 00= ± 0. 15	Scale	1:1	Unit	mm
. 000= ± 0. 05	Form	A4	REV.	A
角度: ± 1°	Form	A4	REV.	A
	Draft	Check	Approve	