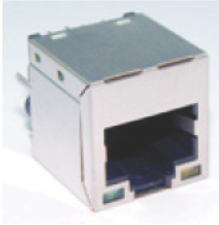


# Pcb Jack 1x1 180

## Vertical Top entry RJ45

### Features and Benefits:

- \* RoHS peak wave solder temperature rating 260°C
- \* Suitable for CAT 5 & 6 Fast Ethernet Cable or better UTP



### Electrical Performance Summary:

- \* Meets or exceeds IEEE 802.3 standard for 100Base-T
- \* 350 μH minimum OCL with 8mA bias current
- \* Minimum 1500Vrms isolation per IEEE 802.3 requirement

Electrical Specifications @ 25°C — Operating Temperature 0°C to +70°C

Part Number	Turns Ratios		Mech Drawing	EMI Fingers	LEDs <sup>1</sup> (L/R)	Return Loss (dB MIN) 100W±15W					Crosstalk (dB MIN)			Common Mode Rejection (dB M N)		Hipot (Vrms)
	TX	RX				1-65 MHz	1-10 MHz	10-30 MHz	30-60 MHz	60-80 MHz	1-30 MHz	30-60 MHz	60-100 MHz	1-50 MHz	50-150 MHz	
SM C04 5A15AEG2	1CT:1	1CT:1	A	NO	Y/G	-1	-20	-16	-12	-10	-40	-35	-30	-30	-20	1500
	1CT:1	1CT:1		NO	G/Y	-1	-20	-16	-12	-10	-40	-35	-30	-30	-20	1500
	1CT:1	1CT:1		NO	N/A	-1	-20	-16	-12	-10	-40	-35	-30	-30	-20	1500
	1CT:1	1CT:1				-1	-20	-16	-12	-10	-40	-35	-30	-30	-20	1500
	1CT:1	1CT:1				-1	-20	-16	-12	-10	-40	-35	-30	-30	-20	1500
	1CT:1	1CT:1				-1	-20	-16	-12	-10	-40	-35	-30	-30	-20	1500
	1CT:1	1CT:1				-1	-20	-16	-12	-10	-40	-35	-30	-30	-20	1500
	1CT:1	1CT:1				-1	-20	-16	-12	-10	-40	-35	-30	-30	-20	1500
	1CT:1	1CT:1				-1	-20	-16	-12	-10	-40	-35	-30	-30	-20	1500
	1CT:1	1CT:1				-1	-20	-16	-12	-10	-40	-35	-30	-30	-20	1500
	1CT:1	1CT:1				-1	-20	-16	-12	-10	-40	-35	-30	-30	-20	1500
	1CT:1	1CT:1				-1	-20	-16	-12	-10	-40	-35	-30	-30	-20	1500
	1CT:1	1CT:1				-1	-20	-16	-12	-10	-40	-35	-30	-30	-20	1500
	1CT:1	1CT:1				-1	-20	-16	-12	-10	-40	-35	-30	-30	-20	1500
	1CT:1	1CT:1				-1	-20	-16	-12	-10	-40	-35	-30	-30	-20	1500
	1CT:1	1CT:1				-1	-20	-16	-12	-10	-40	-35	-30	-30	-20	1500
	1CT:1	1CT:1				-1	-20	-16	-12	-10	-40	-35	-30	-30	-20	1500
	1CT:1	1CT:1				-1	-20	-16	-12	-10	-40	-35	-30	-30	-20	1500
	1CT:1	1CT:1				-1	-20	-16	-12	-10	-40	-35	-30	-30	-20	1500
	1CT:1	1CT:1				-1	-20	-16	-12	-10	-40	-35	-30	-30	-20	1500
	1CT:1	1CT:1				-1	-20	-16	-12	-10	-40	-35	-30	-30	-20	1500
	1CT:1	1CT:1				-1	-20	-16	-12	-10	-40	-35	-30	-30	-20	1500
	1CT:1	1CT:1				-1	-20	-16	-12	-10	-40	-35	-30	-30	-20	1500
	1CT:1	1CT:1				-1	-20	-16	-12	-10	-40	-35	-30	-30	-20	1500
	1CT:1	1CT:1				-1	-20	-16	-12	-10	-40	-35	-30	-30	-20	1500
	1CT:1	1CT:1				-1	-20	-16	-12	-10	-40	-35	-30	-30	-20	1500
	1CT:1	1CT:1				-1	-20	-16	-12	-10	-40	-35	-30	-30	-20	1500
	1CT:1	1CT:1				-1	-20	-16	-12	-10	-40	-35	-30	-30	-20	1500
	1CT:1	1CT:1				-1	-20	-16	-12	-10	-40	-35	-30	-30	-20	1500
	1CT:1	1CT:1				-1	-20	-16	-12	-10	-40	-35	-30	-30	-20	1500
	1CT:1	1CT:1				-1	-20	-16	-12	-10	-40	-35	-30	-30	-20	1500
	1CT:1	1CT:1				-1	-20	-16	-12	-10	-40	-35	-30	-30	-20	1500
	1CT:1	1CT:1				-1	-20	-16	-12	-10	-40	-35	-30	-30	-20	1500
	1CT:1	1CT:1				-1	-20	-16	-12	-10	-40	-35	-30	-30	-20	1500

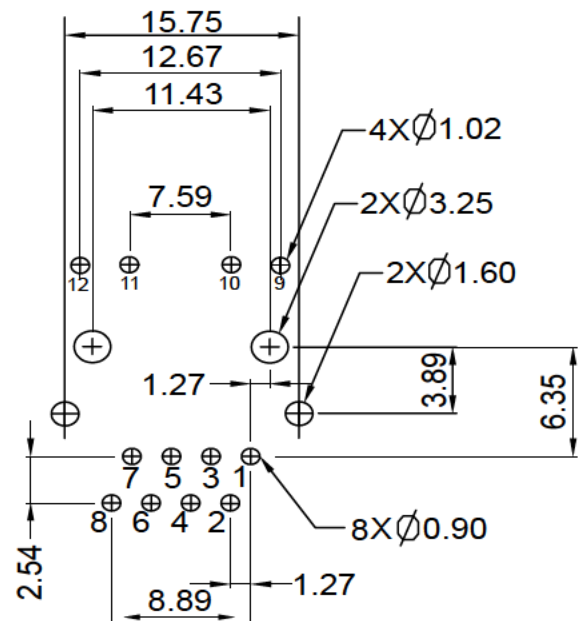
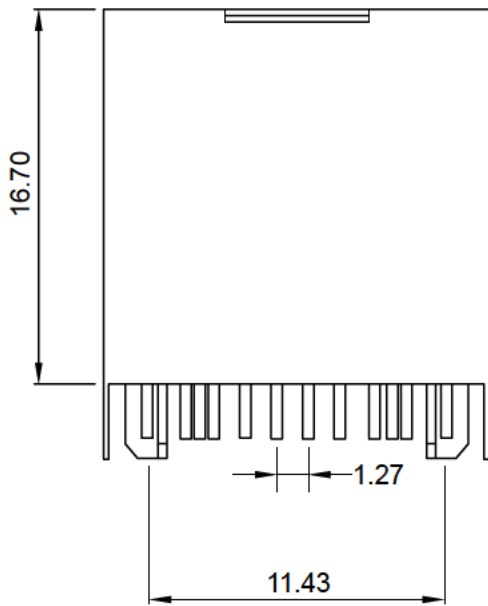
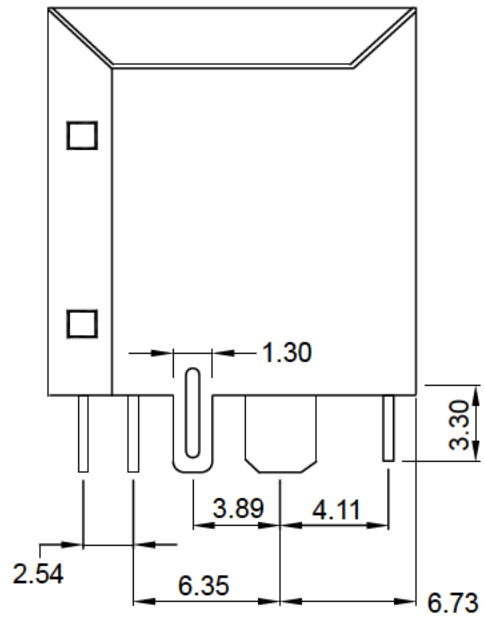
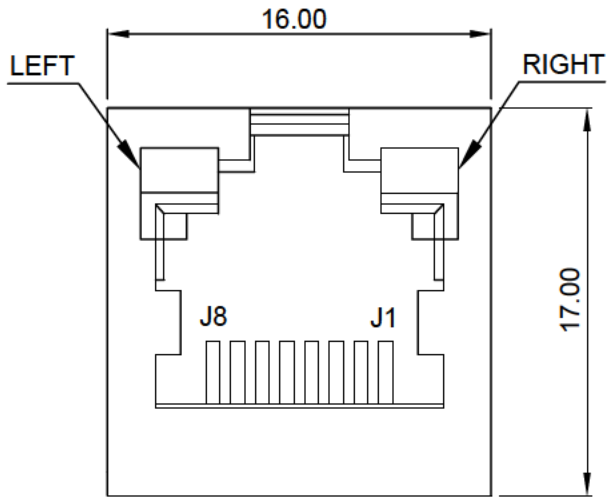
Note: 1.LEDs Left/Right: G=green, Y=yellow, N/A=none, YG=Bi-color LED Yellow Green. 2. LEDs with internal resistor. 3.Bi- color Left LED.

# Pcb Jack 1x1 180

## Vertical Top entry

### RJ45 Series Mechanicals

**A**



SUGGESTED PCB LAYOUT (TOP VIEW)

Dimensions:mm

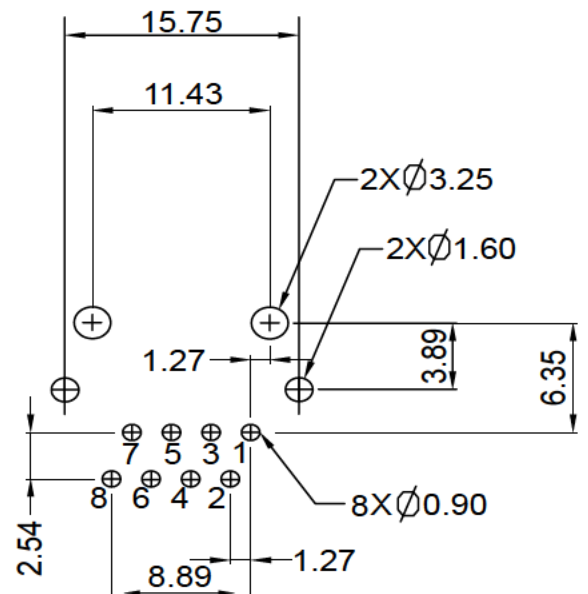
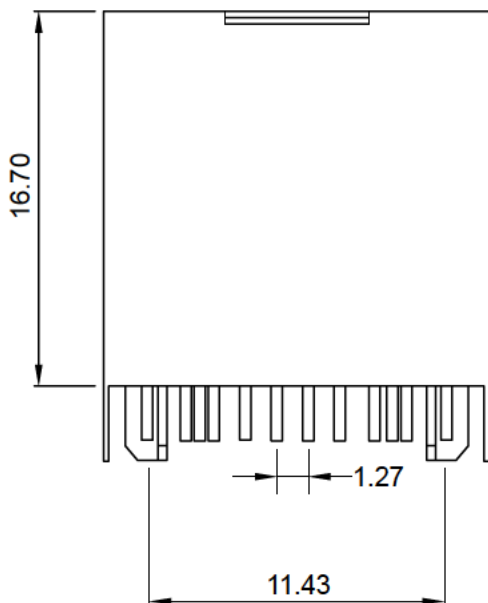
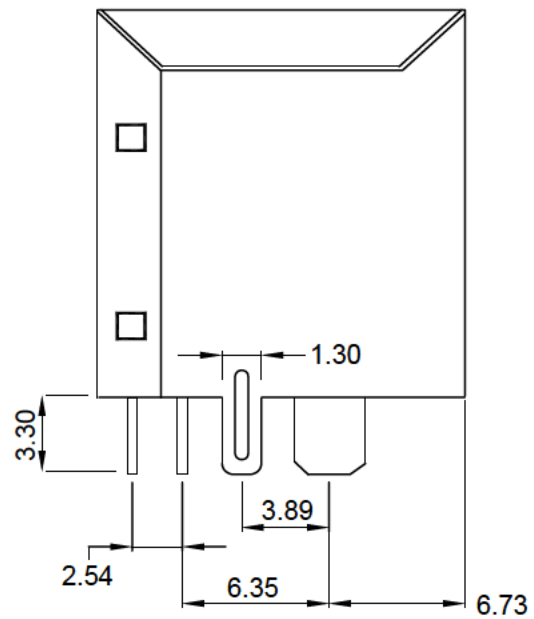
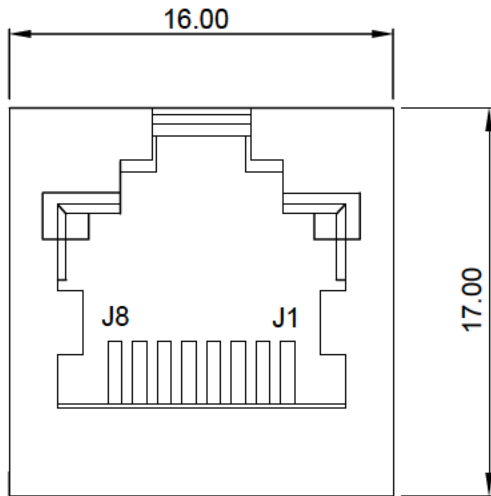
Unless otherwise specified, all tolerances are  $\pm 0,25$

# Pcb Jack 1x1 180

## Vertical Top entry

RJ45 series Mechanical

G



SUGGESTED PCB LAYOUT (TOP VIEW)

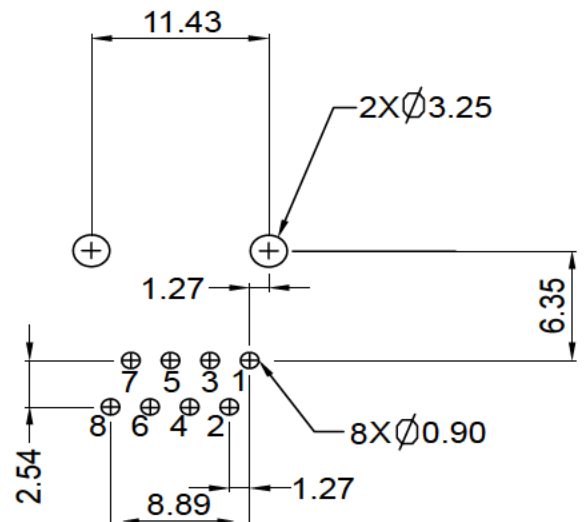
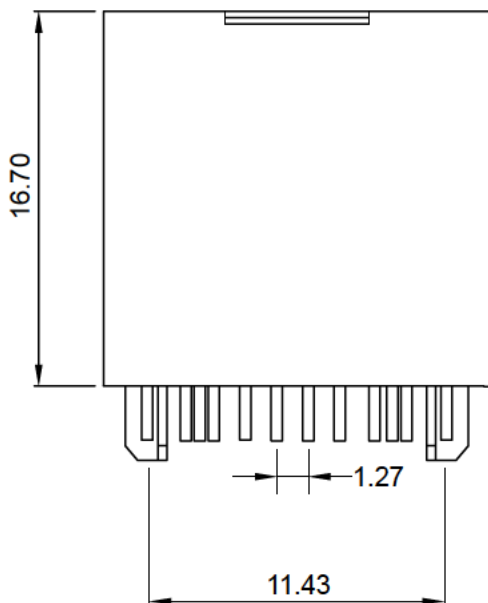
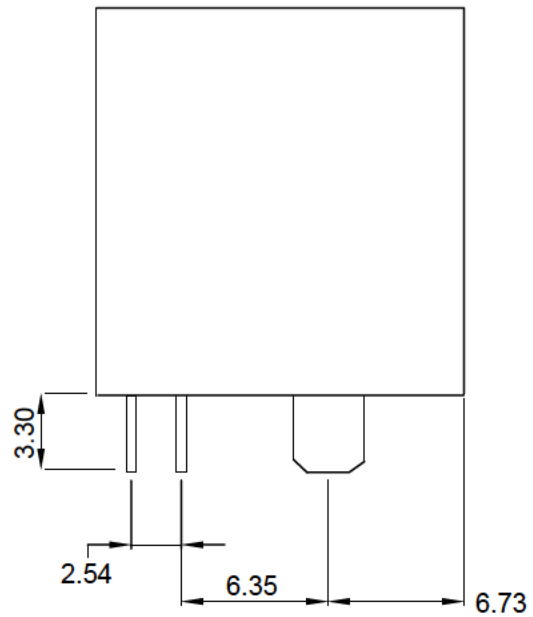
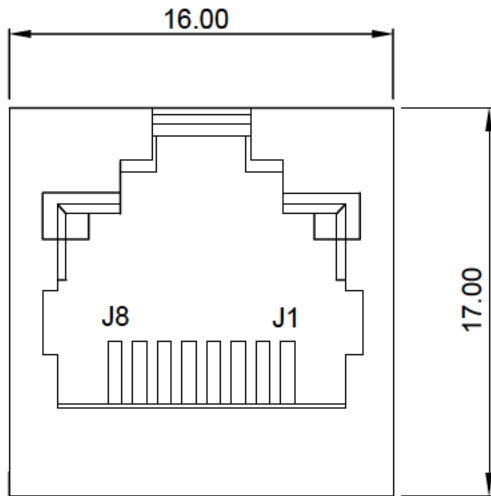
Dimensions:mm

Unless otherwise specified, all tolerances are  $\pm 0,25$

# Pcb Jack 1x1 180

## Vertical Top entry

### RJ45 Series Mechanicals



SUGGESTED PCB LAYOUT (TOP VIEW)

Dimensions:mm

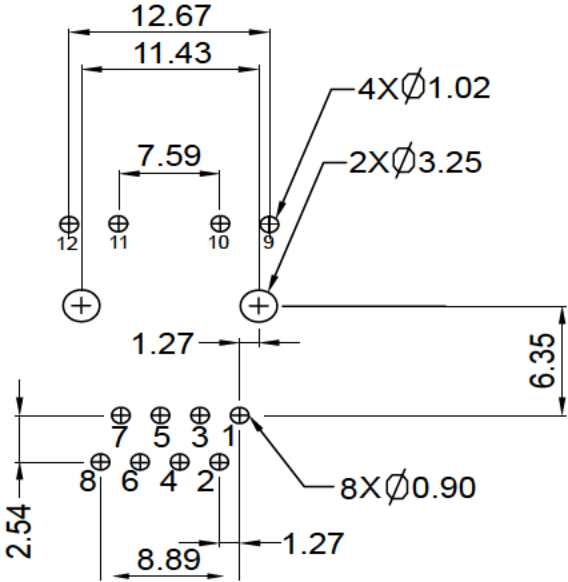
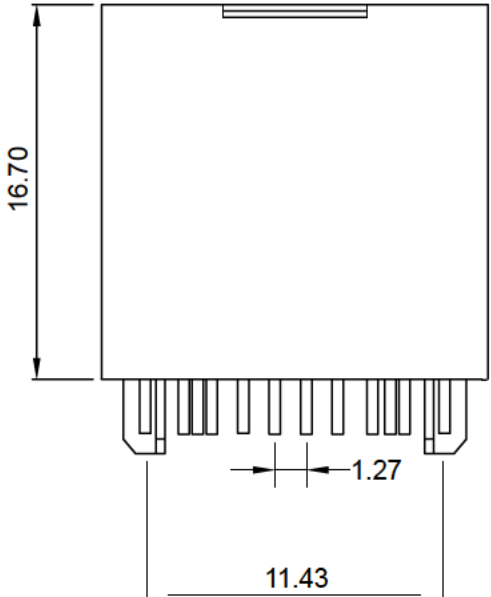
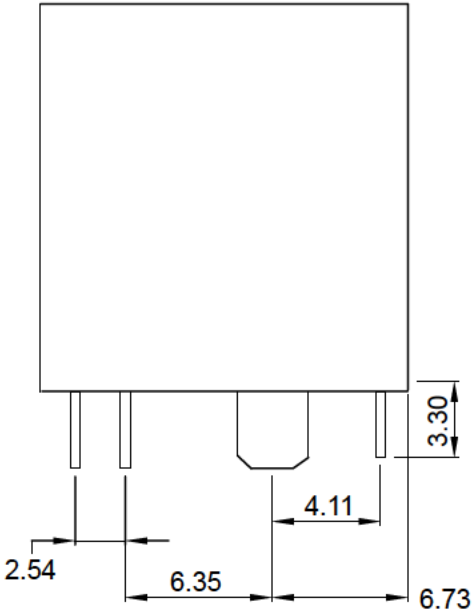
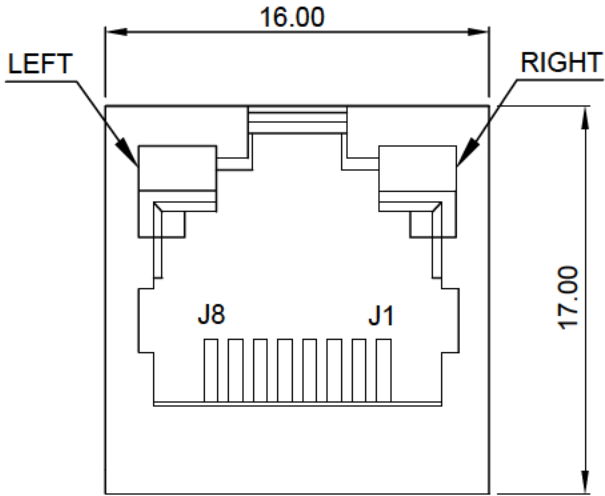
Unless otherwise specified, all tolerances are  $\pm 0,25$

# Pcb Jack 1x1 180

## Vertical Top entry

### RJ45 Series Mechanicals

**J**



SUGGESTED PCB LAYOUT (TOP VIEW)

Dimensions:mm

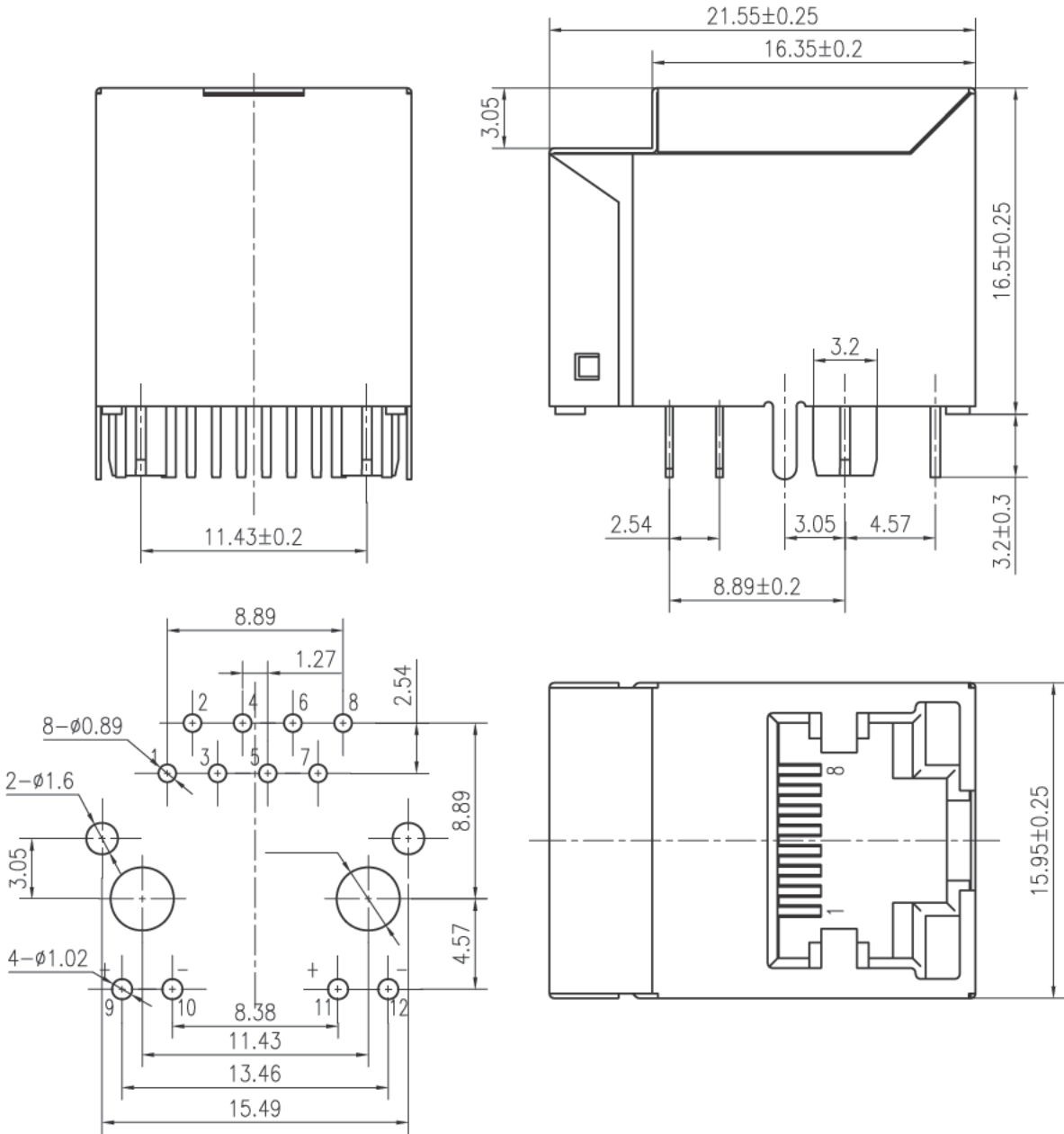
Unless otherwise specified, all tolerances are ± 0,25

# Pcb Jack 1x1 180

## Vertical Top entry

### RJ45 Series Mechanicals

K



SUGGESTED PCB LAYOUT (TOP VIEW)

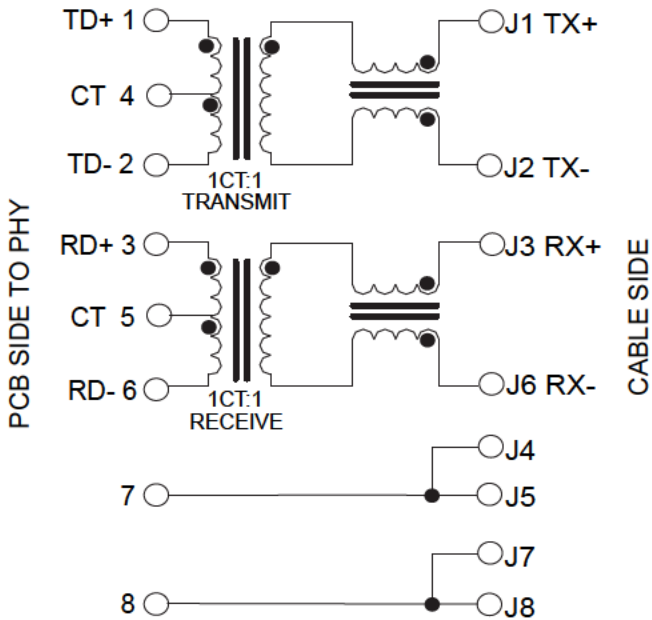
Dimensions:mm

Unless otherwise specified, all tolerances are  $\pm 0,25$

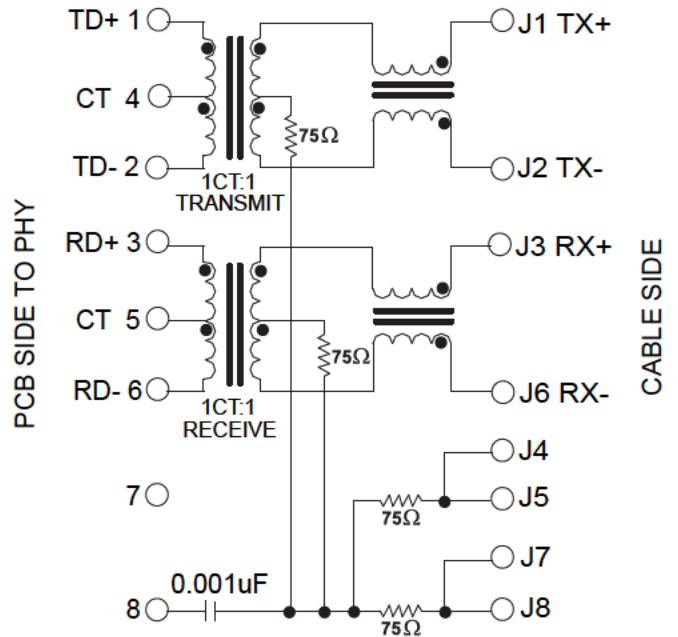
# Pcb Jack 1x1 180 Vertical Top entry

## RJ45 Series Electrical Schematics

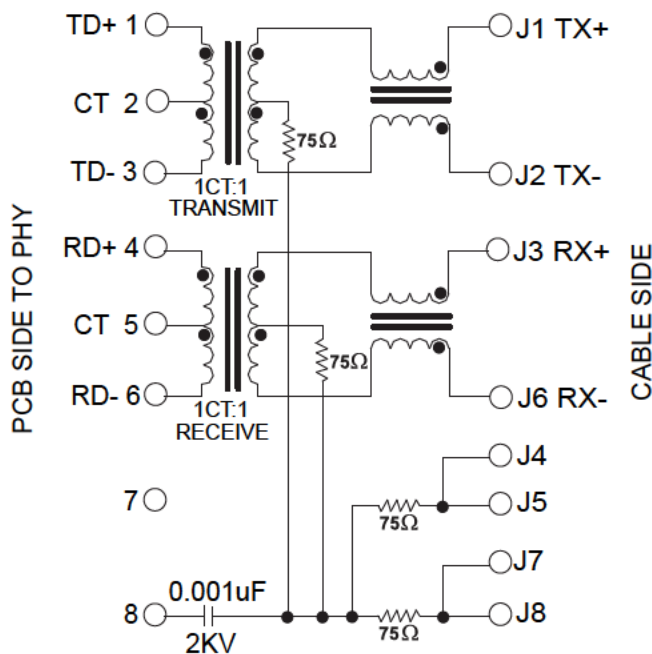
06



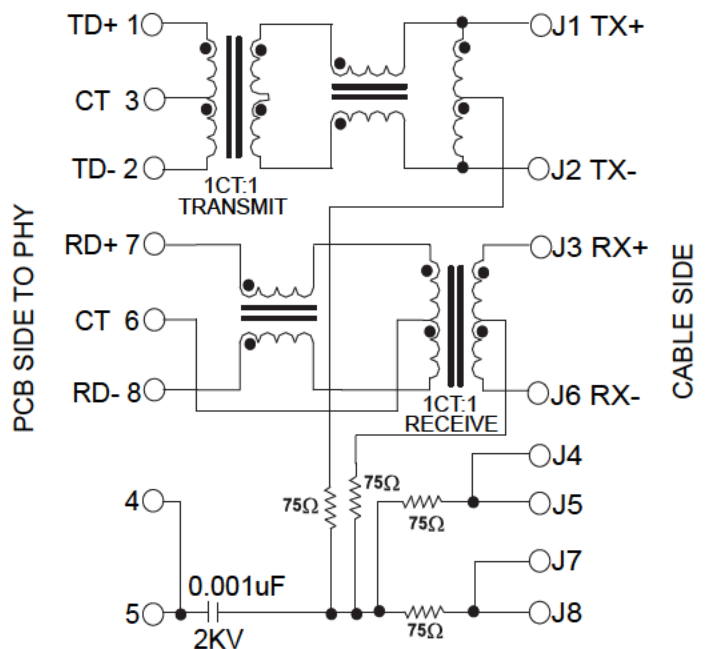
15



60



19



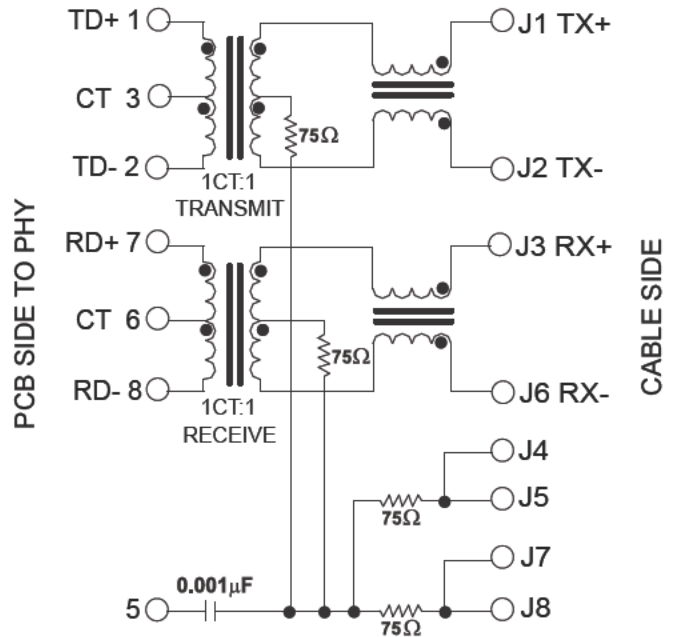
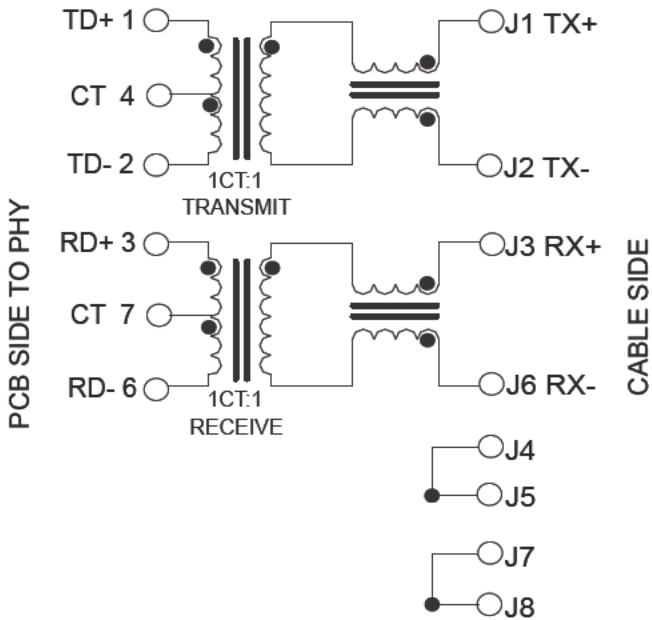
# Pcb Jack 1x1 180

## Vertical Top entry

### RJ45 Series Electrical Schematics

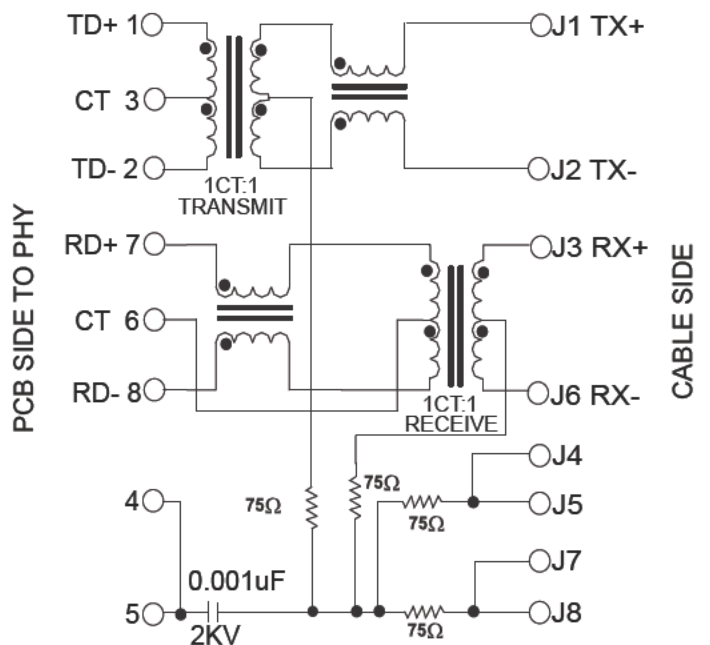
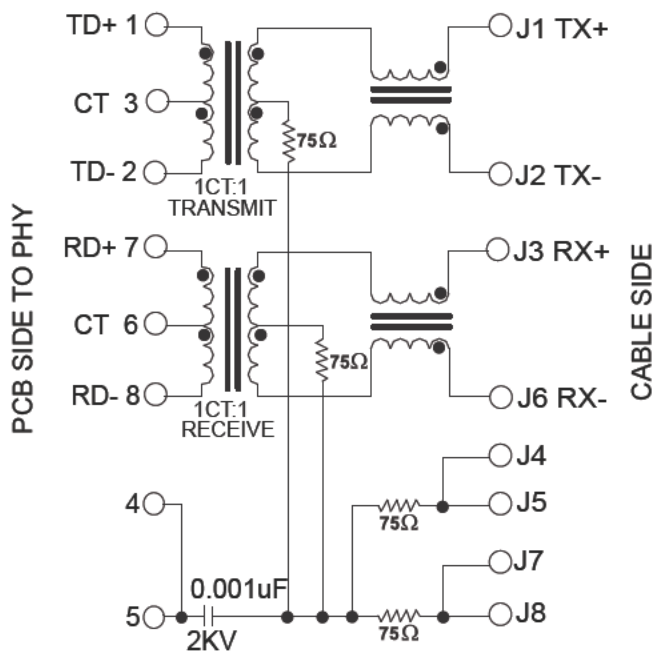
48

98



56

16



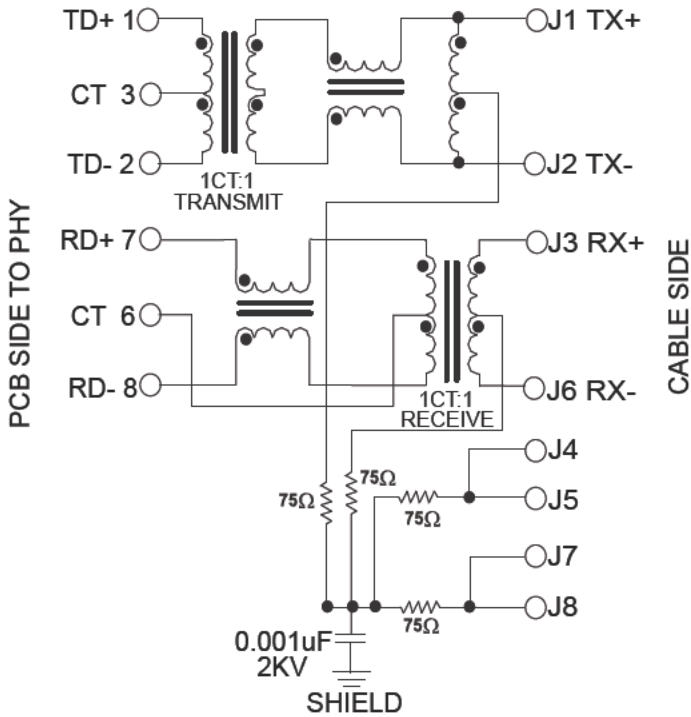


# Pcb Jack 1x1 180

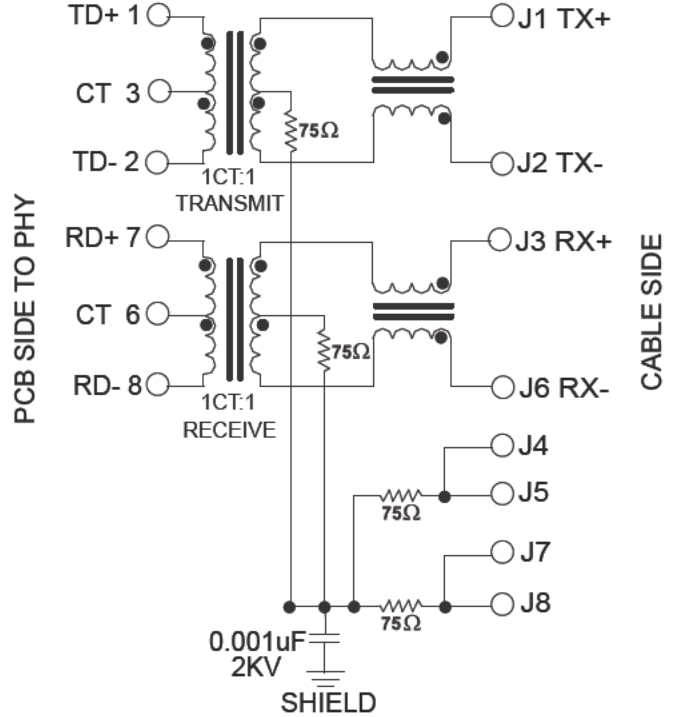
## Vertical Top entry

### RJ45 Series Electrical Schematics

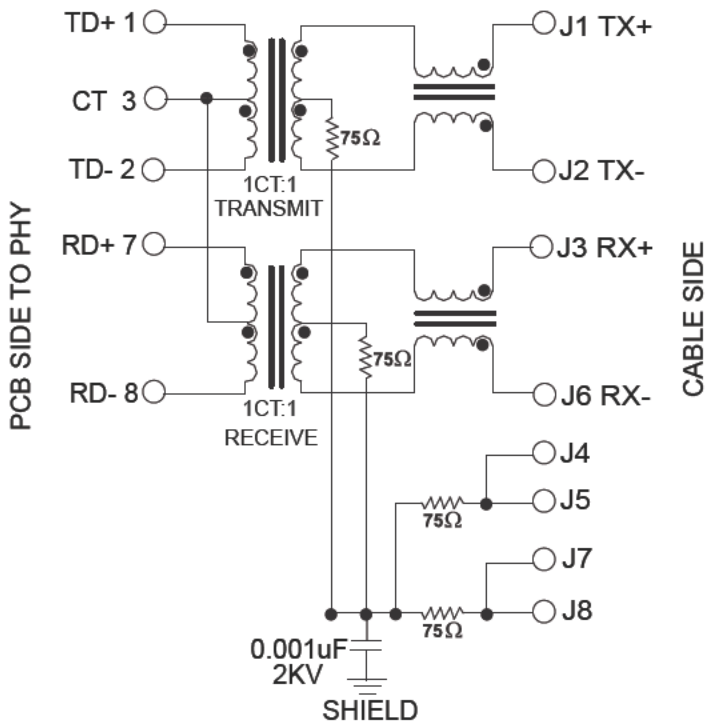
10



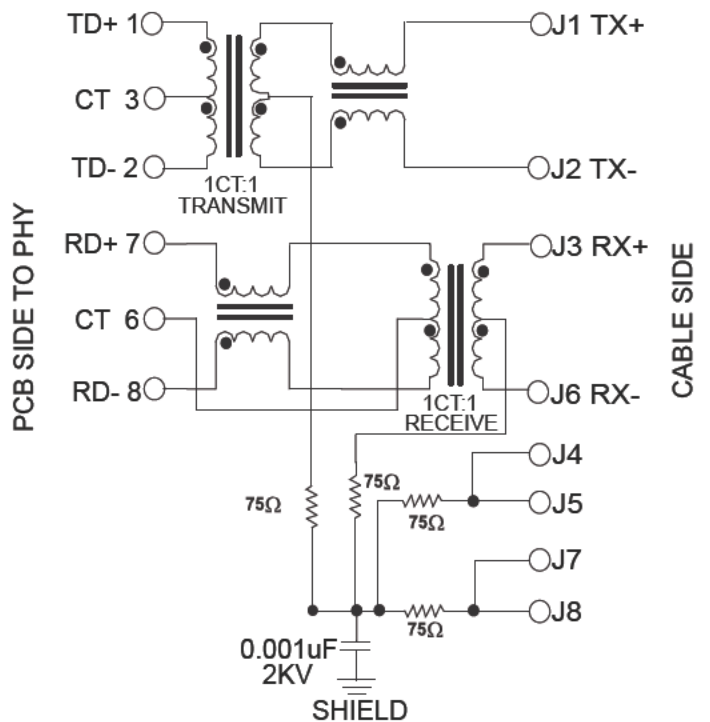
13



46



47

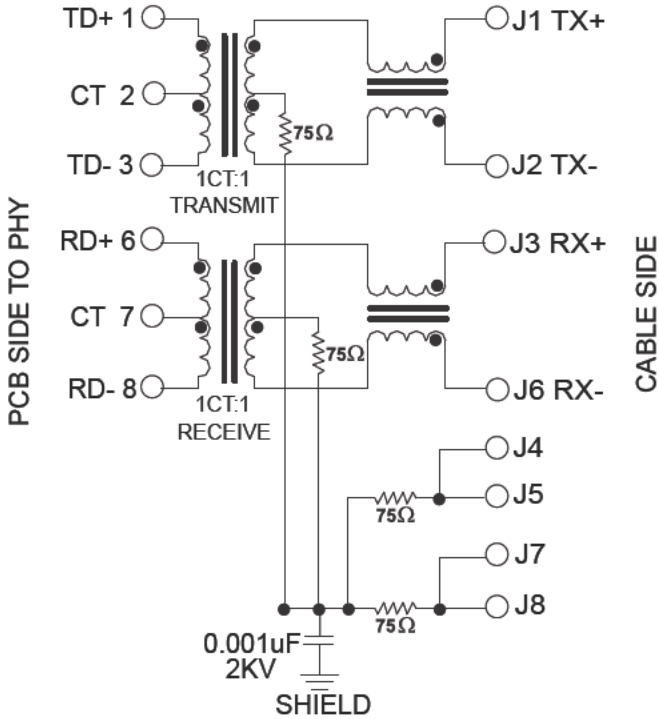


# Pcb Jack 1x1 180

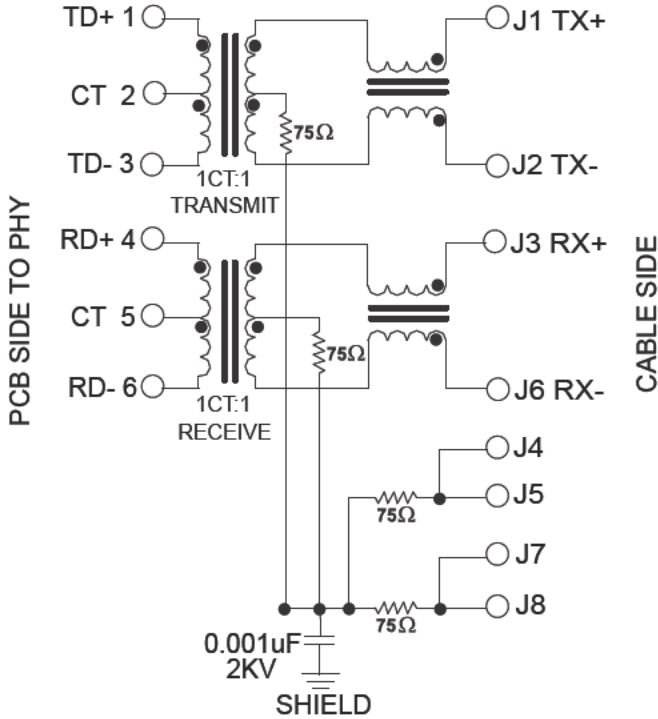
## Vertical Top entry

### RJ45 Series Electrical Schematics

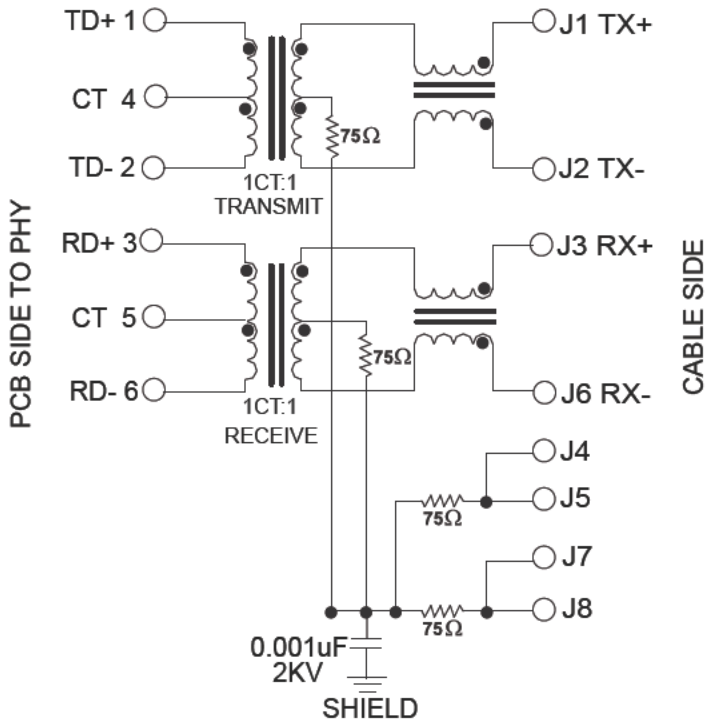
70



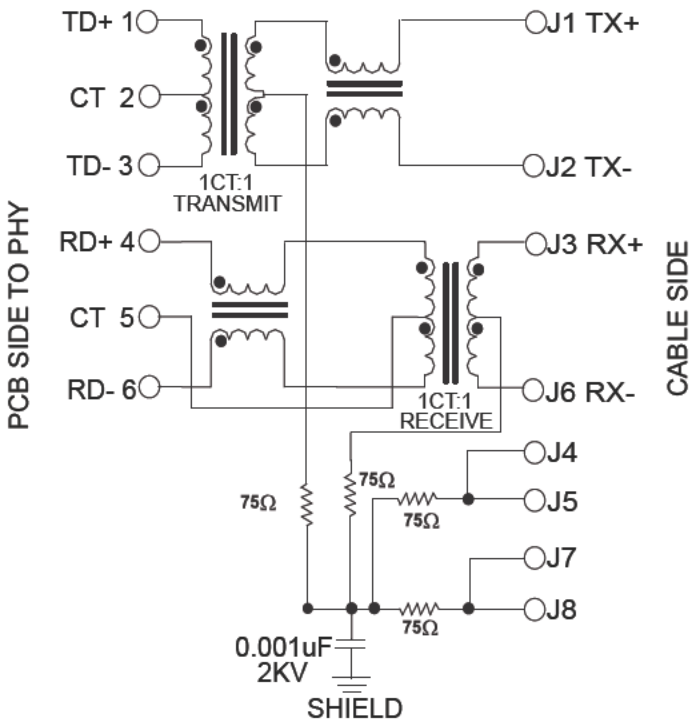
71



05



34



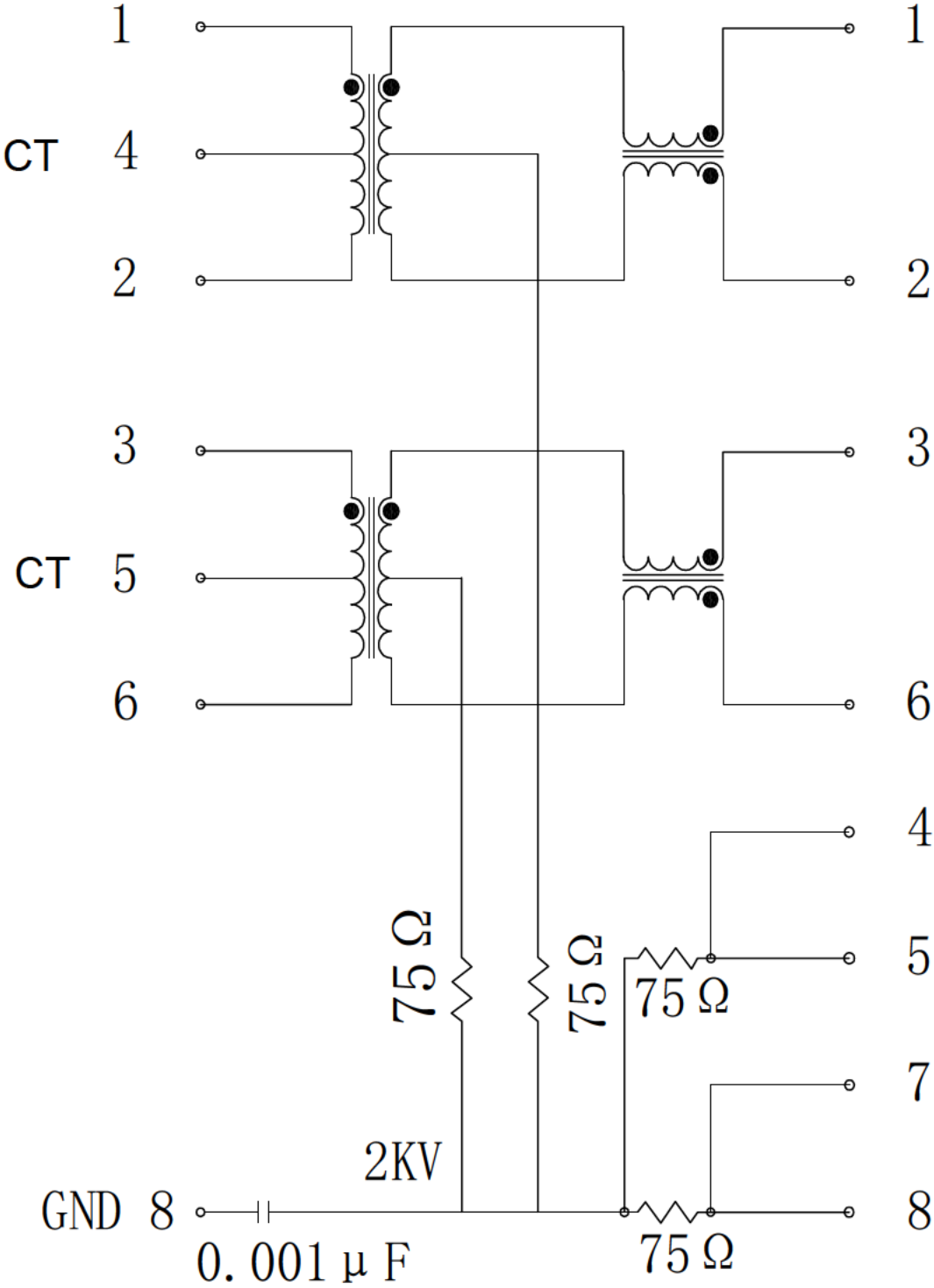
# Pcb Jack 1x1 180

## Vertical Top entry

### RJ45 Series Electrical Schematics

35

PCB SIDE TO PHY



# Pcb Jack 1x1 180

## Vertical Top entry RJ45

### LED Cofiguration

LED CODE	LED COLOR		LED POLARITY	
	LEFT	RIGHT	LEFT	RIGHT
A	Y	G	12	9
B	G	Y	11	10
C	G	G	12	10
D	Y	G	11	9
E	G	Y	11	10
F	G	G	12	9
G	Y	G	11	9
H	G	Y	12	10
I	G	G	11	10
J	Y	G	11	10
K	G	Y	12	9
L	G	G	NO	NO
O	NO	NO	NO	NO
Standard LED	Wavelength	Forward* V(MAX)	(TYP)	
YELLOW	585mm	2.5 V	2.1V	
GREEN	565mm	2.5 V	2.2V	

Bias current =20mA

### NOTE:

SM C04 X XX XX X X X  
 (1) (2) (3) (4) (5) (6)

(1) Type of product code

1	Tab DOWN 21.59MM
2	Tab UP 21.59MM
3	Tab UP 25.40MM
4	Tab UP 33.02MM
5	180VERTICAL Top entry
6	RJ45+1USB
7	RJ45+2USB

(2) Number of contact ports

A	RJ45 1*1
B	RJ45 1*2
C	RJ45 1*4
D	RJ45 1*6
E	RJ45 1*8
F	RJ45 2*1
G	RJ45 2*2
H	RJ45 2*4
I	RJ45 2*6
G	RJ45 2*8

(3) Number of magnetic ring

(4) Product dimension definition

A	With LED W/O EMI
G	Without LED without EMI
I	Without LED unshield
J	With LED unshield

(5) Products Luminous definition

(6) Plating product definition

G0	G0ld flash
G1	3U" G0ld
G2	6U" G0ld
G3	10U" G0ld
G4	15U" G0ld
G5	30U" G0ld
SN	Tin