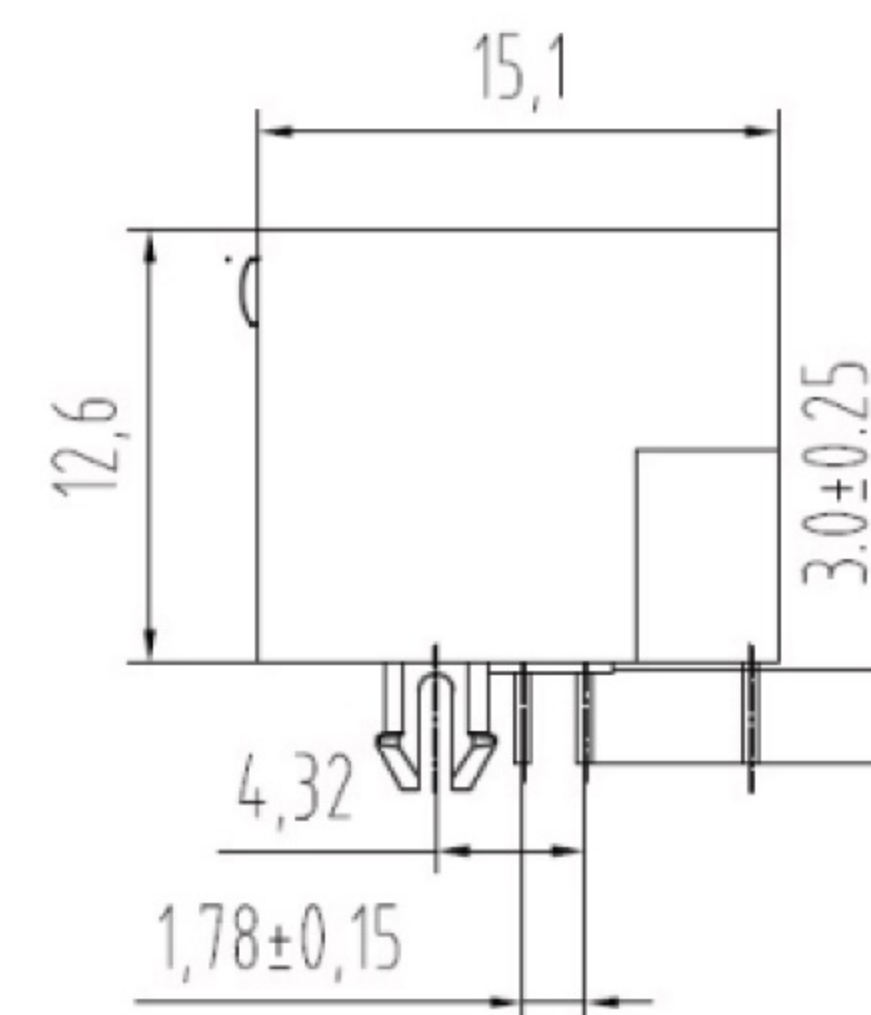
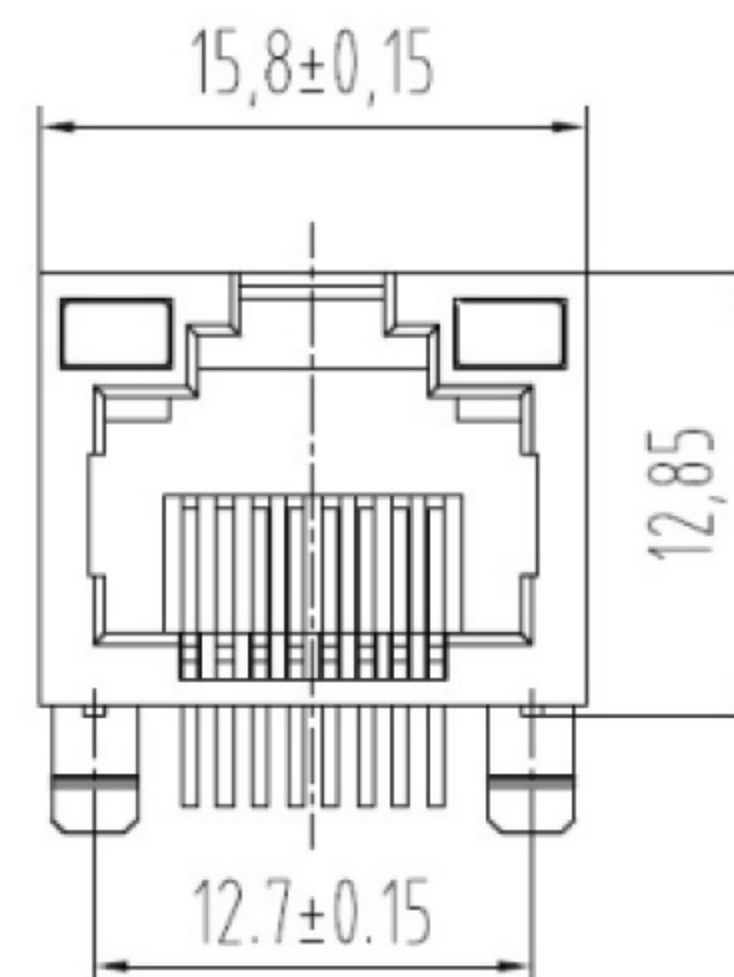


PC Board Layout
Component Side Shown

Characteristics:	
Material	
Housing Material	Glass Filled Polyester UL94V-0
Contact Material	Phosphor Bronze Ø0.46 mm
Plating	Gold Plating Over Nickel
Electrical	
Voltage Rating	125 VAC RMS
Current Rating	1.5 AMP
Contact Resistance	30 MILIOHMS MAX.
Insulation Resistance	500 MEGOHMS MIN @500V DC
Dielectric Withstanding Resistance	1000V AC RMS 50Hz 1MIN
Mechanical	
Durrability	750 Cycles MIN.
PCB Retention PRE-SOLDER	1 LB MIN.
Enviromental	
Storage	-40°C ~+ 85°C
Operation	0°C TO 70°C



<div style="border: 1px solid black; padding: 2px; display: inline-block;">RoHS Compliant</div>			
APPD. Thomas		TOLERANCE <small>Tolerance Except as noted</small> MM .0±0.15 .00±0.075 .000±0.5 ANGLE ± 0.5	PART NAME 5J 1X1 LED JACK W/O SHIELED
DWG. Mark	SCALE UNIT MM	TOLERANCE ANGLE ± 0.5	PART NO. SM C04 5921-LED-8P8C-G-B
DATE 2018-03-20	PAGE 1 OF 1	SIZE A3	