

REV	MARK	ECN NO.	DESCRIPTION	NAME	DATE
A0					2016/03/01

SPECIFICATIONS :

MATERIAL :

- HOUSING MATERIAL: (1) GLASS FILLED PA66 (UL94V-0), (2) GLASS FILLED PA46 (UL94V-0), (3) GLASS FILLED PBT (UL94V-0).
- CONTACT MATERIAL: PHOSPHOR BRONZE $\Phi 0.46\text{MM}$.
- PLATING: GOLD PLATING $\text{Fu}''-50\mu''$ OVER NICKEL.

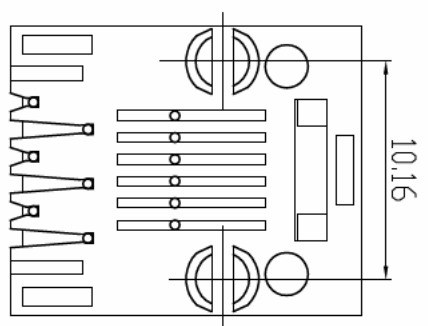
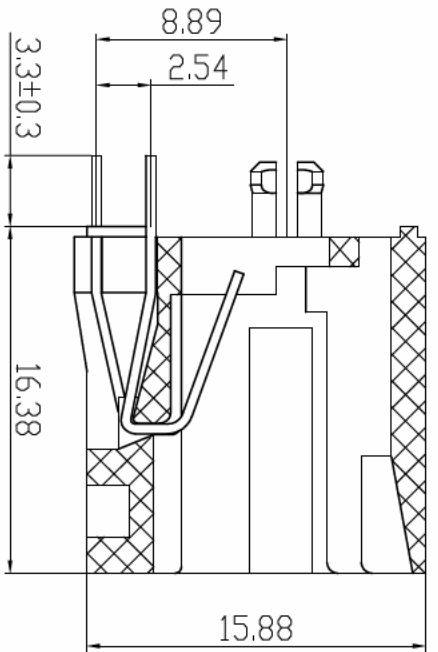
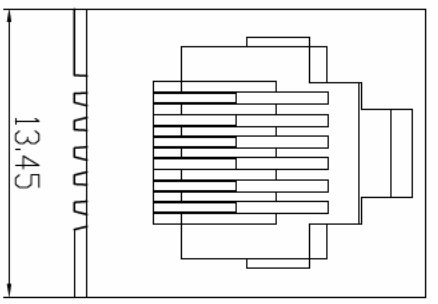
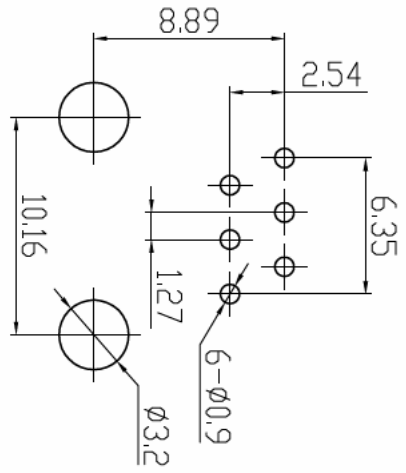
ELECTRICAL :

- VOLTAGE RATING: 125V_{vac} RMS .
- CURRENT RATING: 1.5AMP .
- CONTACT RESISTANCE: 30m Ω MAX .
- INSULATION RESISTANCE: 500M Ω MIN @ 500V_{dc} .
- DIELECTRIC WITHSTANDING VOLTAGE: 1000V_{vac} RMS 50Hz 1MIN.

MECHANICAL :

- DURRABILITY : 750 CYCLES MIN.
 - INSETION FORCE: 2.2Kgf MAX.
 - RETENTION STRENGTH : 7.7Kgf MIN BETWEEN JACK AND PLUG.
- ENVIRONMENTAL :
- STORAGE TEMPERATURE : -40° C TO 85° C.
 - OPERATION TEMPERATURE : -40° C TO 70° C.

PC Board Layout



TOLERANCE UNLESS OTHERWISE SPEC		DESIGNED	SIZE	TITLE :
BASIC DIMENSION	TOLERANCE	CHECKED	UNIT	PART NO. : SM C04 5222 66
.X	± 0.25	STANDARDIZED	MM	DRAWING NO. :
.XX	± 0.15	APPROVED	SCALE	
.XXX	± 0.05		1:1	
ANGLES	$\pm 0.5^\circ$		WEIGHT	
			SHEET	
			第1页共1页	
			REV	
			A	