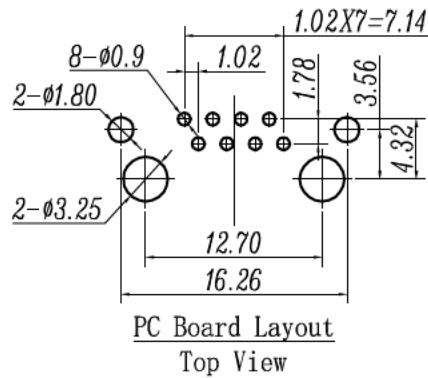
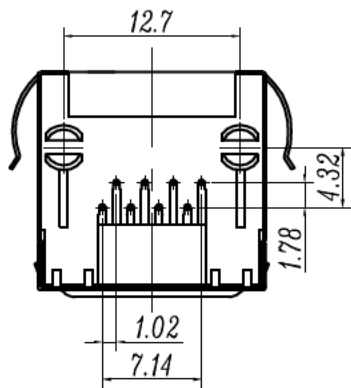
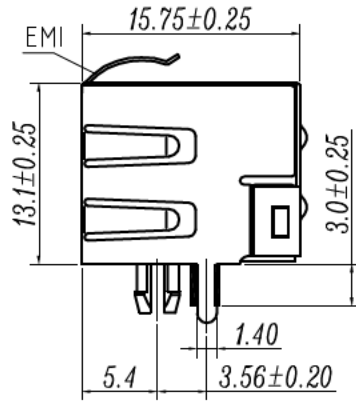
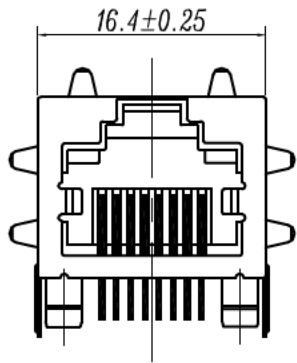


REV	MARK	ECN NO.	DESCRIPTION	NAME	DATE
A0	—	—			2016/03/01



### SPECIFICATIONS :

#### MATERIAL :

- HOUSING MATERIAL: (1)GLASS FILLED PA66(UL94V-0), (2)GLASS FILLED PA46(UL94V-0), (3)GLASS FILLED PBT(UL94V-0).
- CONTACT MATERIAL: PHOSPHOR BRONZE  $\Phi 0.46$ MM.
- PLATING: GOLD PLATING  $Fu''-50u''$ OVER NICKEL.

#### ELECTRICAL :

- VOLTAGE RATING: 125Vac RMS .
- CURRENT RATING: 1.5AMP .
- CONTACT RESISTANCE: 30m $\Omega$  MAX .
- INSULATION RESISTANCE: 500M $\Omega$  MIN @ 500Vdc .
- DIELECTRIC WITHSTANDING VOLTAGE: 1000Vac RMS 50Hz 1MIN.

#### MECHANICAL :

- DURRABILITY : 750 CYCLES MIN.
- INSETION FORCE: 2.2Kgf MAX.
- RETENTION STRENGTH : 7.7Kgf MIN BETWEEN JACK AND PLUG.

#### ENVIRONMENTAL :

- STORAGE TEMPRATURE : -40° C TO 85° C.
- OPERATION TEMPRATURE : -40° C TO 70° C.

TOLERANCE UNLESS OTHERWISE SPEC		DESIGNED		TITLE : RJ45 JACK TAB UP Shielded	
BASIC DIMENSION	TOLERANCE	CHECKED		SIZE	A4
.X	±0.25	STANDARDIZED		UNIT	MM
.XX	±0.15	APPROVED		SCALE	1:1
.XXX	±0.05			WEIGHT	
ANGLES	±0.5°			SHEET	
				REV	A

PART NO. : SM C04 0074 88 1A-S2

DRAWING NO. :